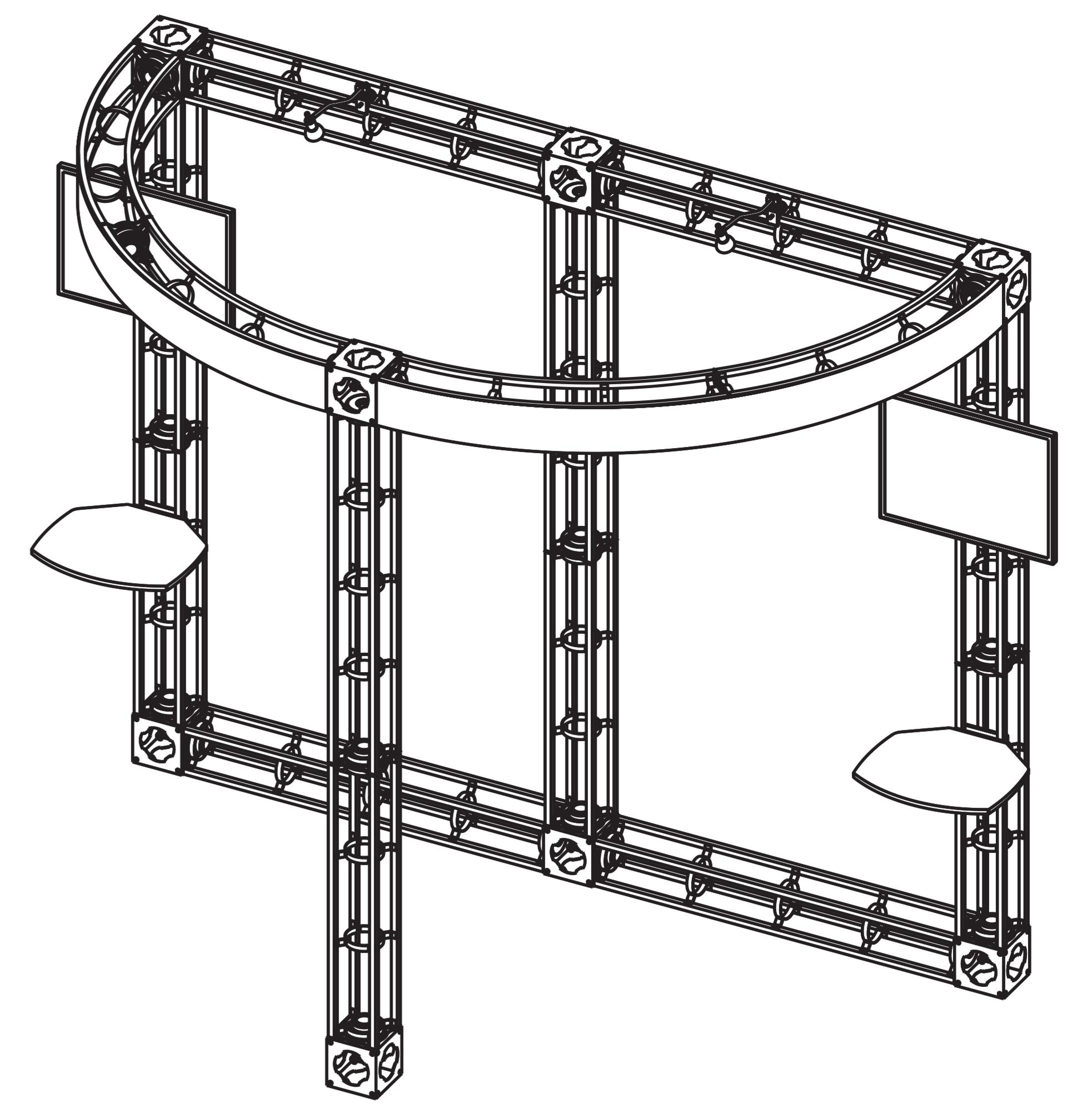


Clio 10' x 10' Truss System Dye Sub Printed



Panels CO1 and CO2:

Total Graphic Area: 51.75" w x 87.75" h

Finished Size: 47.75" w x 83.75" h

Visual Size: 45.75" w x 81.75" h

Panels CO3 and CO4:

Total Graphic Area: 86.5" w x 10" h

Finished Size: 82.5" w x 6" h

Visual Size: 82.5" w x 6" h

Template requires 2" bleed
around the perimeter

FS = Graphic is front side mounted
(3/4" w velcro is applied to the back
of the panel)

BS = Graphic is back side mounted
(3/4" w velcro is applied to the front
of the panel)

Notching = 7/8" square that is cut into the
appropriate location.

Hinging = 3/4" strip of material that is created
by notching the graphic. Allows two graphics
to share the same extrusion corner.

General Art Guidelines:

- CMYK Color Mode
- All Solid Coated Pantone colors should be called out in the art as spot colors
- Embed all images and support files
- Resolution must be 100-120ppi
- All fonts must be created to outlines
- Do not scale artboard
- Background color/images must bleed to the edge of artboard
- Do not use spot colors from template in your artwork as they will not print

BS OR-G-CO1

— bleed area

— trim line

BS
OR-G-CO2

gray area will
be obstructed
once finished
and mounted

FS OR-G-CO3

F S O R - G - C O 4