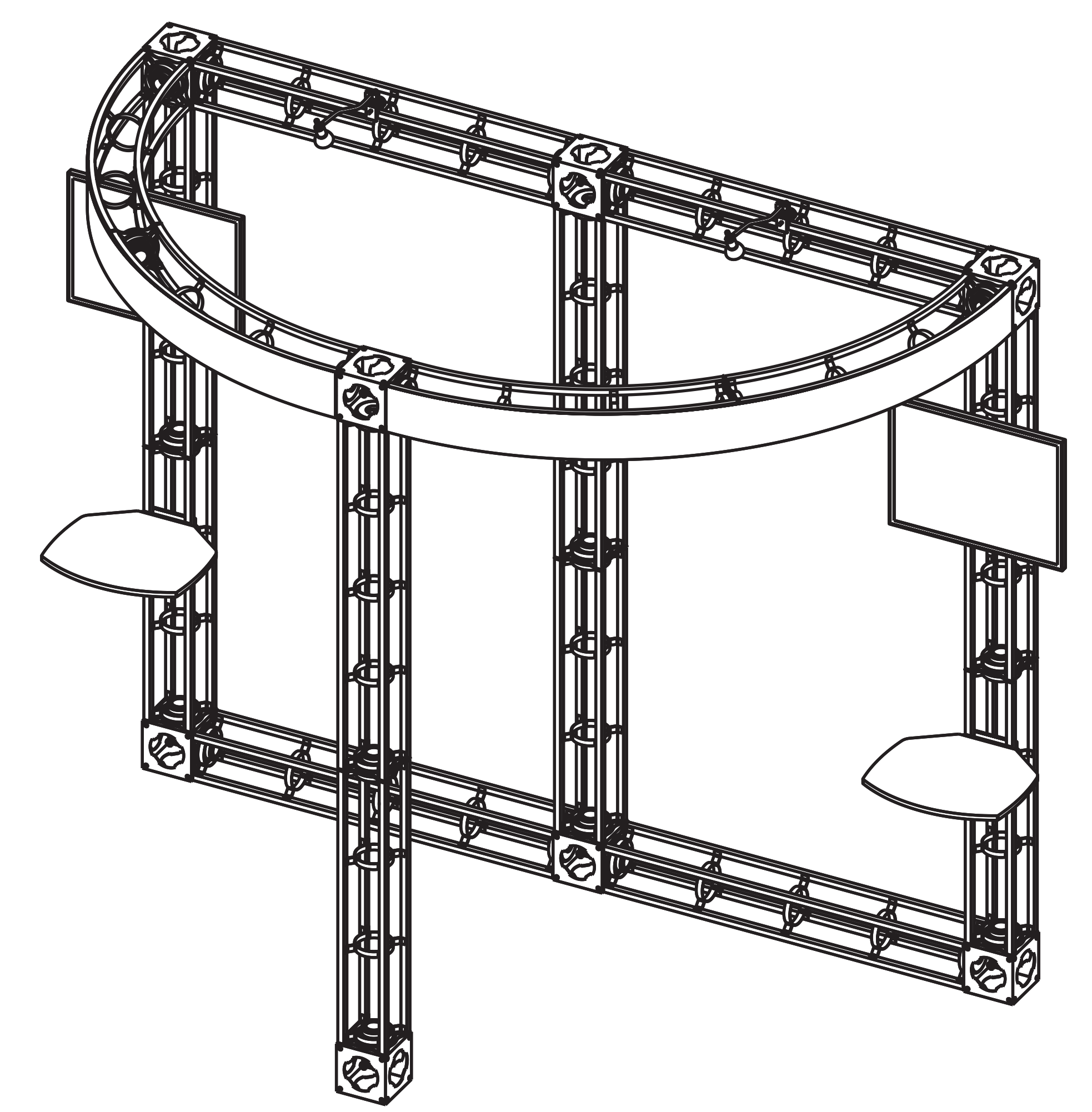


Clio

10' x 10' Truss System

UV Printed



Panels CO1 and CO2:
Total Graphic Area: 48.75" w x 84.75" h
Finished Size: 47.75" w x 83.75" h
Visual Size: 45.75" w x 81.75" h

Panels CO3 and CO4:
Total Graphic Area: 83.5" w x 7" h
Finished Size: 82.5" w x 6" h
Visual Size: 82.5" w x 6" h

Template requires 1/2" bleed around the perimeter

FS = Graphic is front side mounted
(3/4" w magnet is applied to the back of the panel)

BS = Graphic is back side mounted
(3/4" w velcro is applied to the front of the panel)

Notching = 7/8" square that is cut into the appropriate location.

Hinging = 3/4" strip of material that is cropped from the panel and reapplied with hinge tape. Allows two graphics to share the same extrusion corner.

General Art Guidelines:

- CMYK Color Mode
- All Solid Coated Pantone colors should be called out in the art as spot colors
- Embed all images and support files
- Resolution must be 100-120ppi
- All fonts must be created to outlines
- Do not scale artboard
- Background color/images must bleed to the edge of artboard
- Do not use spot colors from template in your artwork as they will not print

BS

OR-G-CO1

— bleed area

— trim line

BS
OR-G-CO2

gray area will
be obstructed
once finished
and mounted

F S O R - G - C O 3

F S O R - G - C O 4