

# Formulate Designer Series 10' Backwall - Kit 10

## FMLT-DS-10-10

Formulate® Designer Series 10ft displays have unique stylistic features and shapes, are portable and easy to assemble. The aluminum tube frame features snap-buttons and/or spigot connections and zipper pillowcase fabric graphics. All displays come in portable, wheeled transit cases. Simply pull the pillowcase fabric graphic(s) over the frame and zip.




We are continually improving and modifying our product range and reserve the right to vary the specifications without prior notice. All dimensions and weights quoted are approximate and we accept no responsibility for variance. E&OE. See Graphic Templates for graphic bleed specifications.

## features and benefits:

- Premium aluminum tube frames with spigot assembly
- Easy to store and ship
- Quick to set up
- Weighted feet for added stability
- Two zipper pillowcase fabric graphics
- Kit includes: monitor kiosk featuring a medium monitor mount, can hold 32-55" monitor / max weight 40 lbs
- Lifetime limited hardware warranty against manufacturer defects

## dimensions:

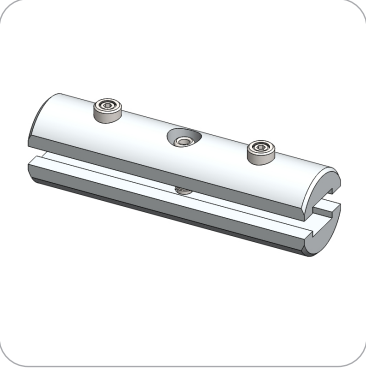
Hardware	Graphic
<p>Assembled unit: 114.7" w x 96" h x 29.4" d 2914mm(w) x 2439mm(h) x 748mm(d)</p> <p>Approximate weight with cases: 129 lbs / 59 kg</p>	<p>Refer to related graphic template for more information.</p> <p>Visit: <a href="https://www.theexhibitorshandbook.com/download-graphic-templates">https://www.theexhibitorshandbook.com/download-graphic-templates</a></p>
<p>Shipping</p> <p>Packing case(s): 2 OCE-2 Cases</p> <p>Shipping dimensions: OCE-2: Expandable case length (l) may vary 40" - 66" l x 18" h x 18" d 1016mm-1677mm(l) x 458mm(h) x 458mm(d)</p> <p>Approximate total shipping weight (includes cases &amp; graphics): 140 lbs / 64 kg</p>	<p><b>additional information:</b></p> <p>Graphic material: Dye-sublimation zipper pillowcase fabric</p>
 <p>This product may include the following materials for recycle: aluminum, select wood, fabric, cardboard, paper, steel, and plastics.</p>	

# Included In Your Kit

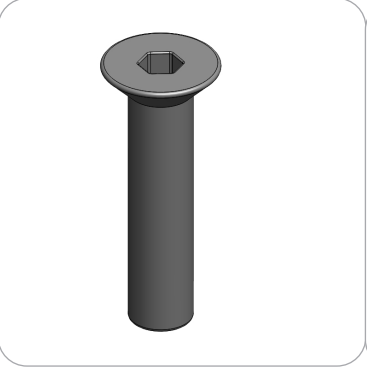
Tools, Components, & Connectors



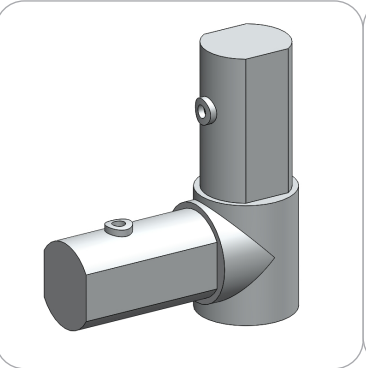
HEX KEY SET x1



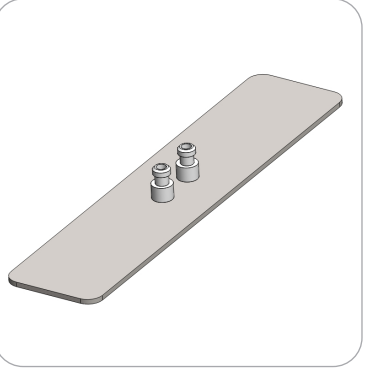
ES30 x16



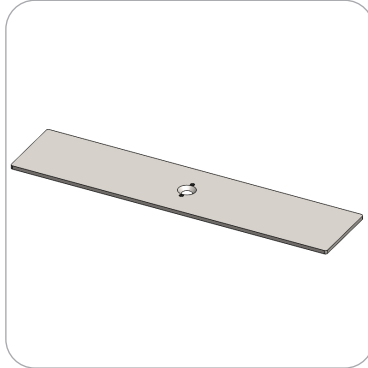
LN114-SCRW x4



ES30-90B x2



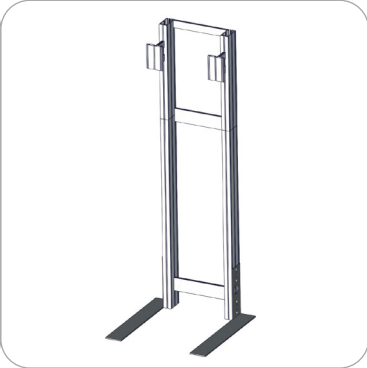
PLT-BP-LN114-S3 x1



PLT-BP-LN114-S2-450 x2

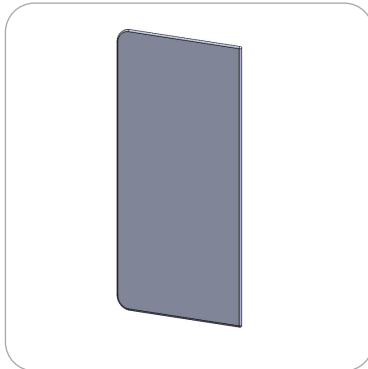


TCP-3030-R x1

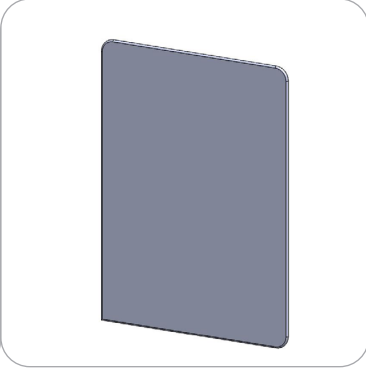


PM4S3-MK-M x1

Graphics



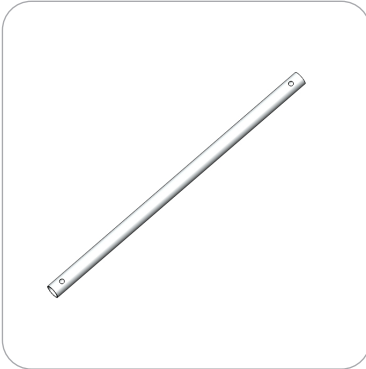
FMLT-DS-10-10-A-G x1



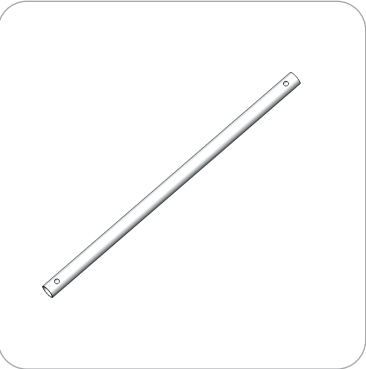
FMLT-DS-10-10-B-G x1

# Included In Your Kit

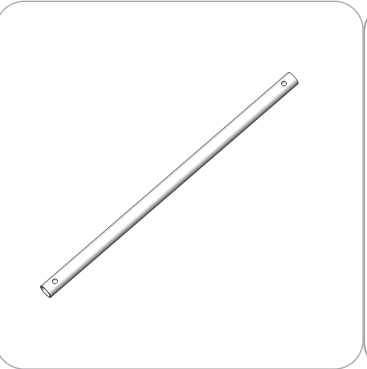
Tubes



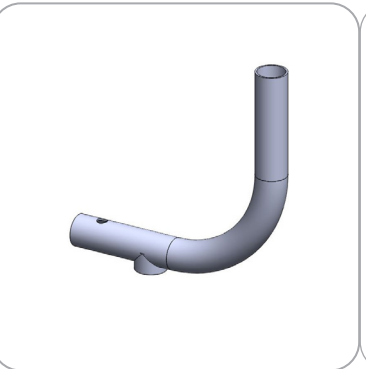
DS-10-10-A-T1 x1



DS-10-10-A-T2 x2



DS-10-10-A-T3 x2



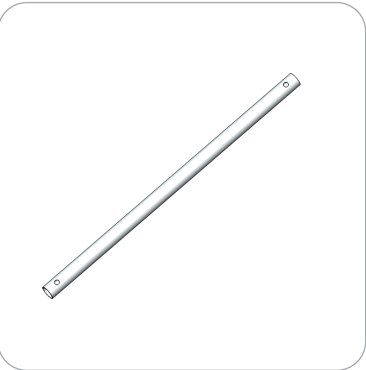
DS-10-10-A-T4 x1



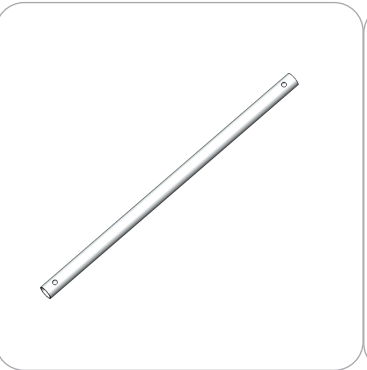
DS-10-10-A-T5 x1



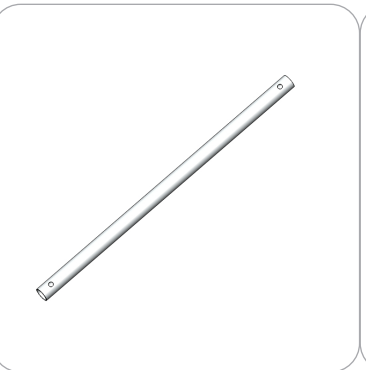
DS-10-10-A-T6 x1



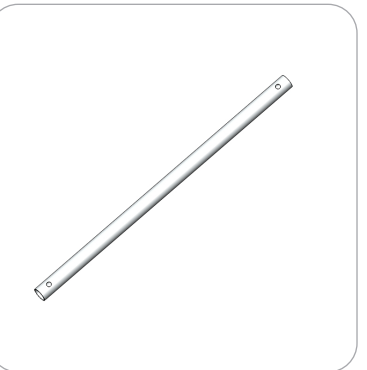
DS-10-10-A-T7 x1



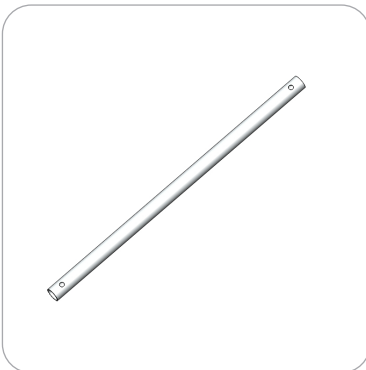
DS-10-10-B-T1 x1



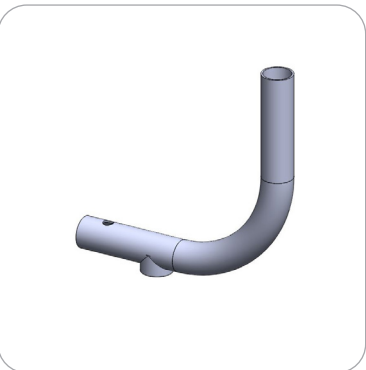
DS-10-10-B-T2 x1



DS-10-10-B-T3 x2



DS-10-10-B-T4 x2



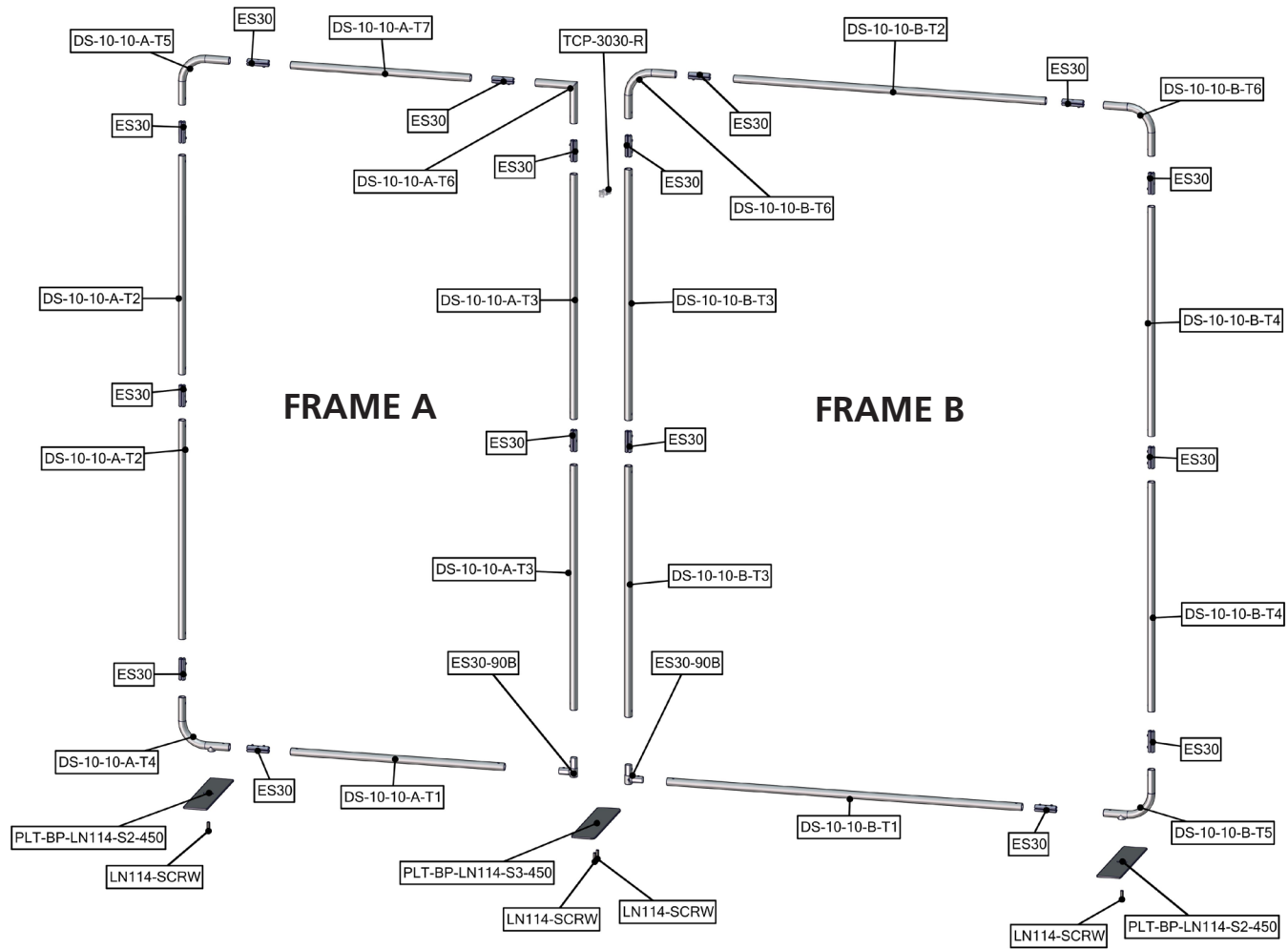
DS-10-10-B-T5 x1



DS-10-10-B-T6 x2

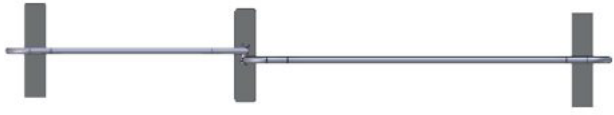
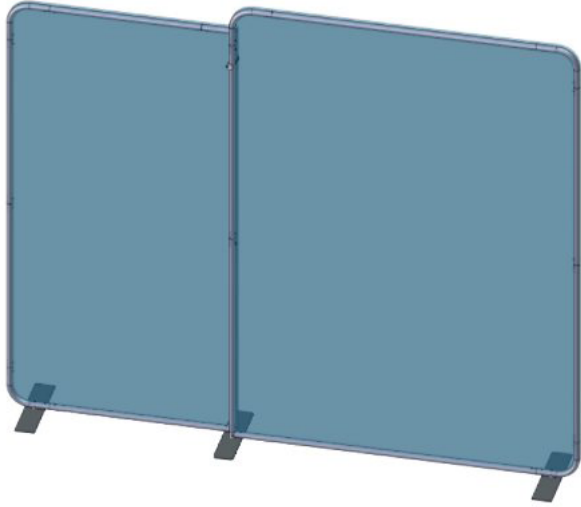
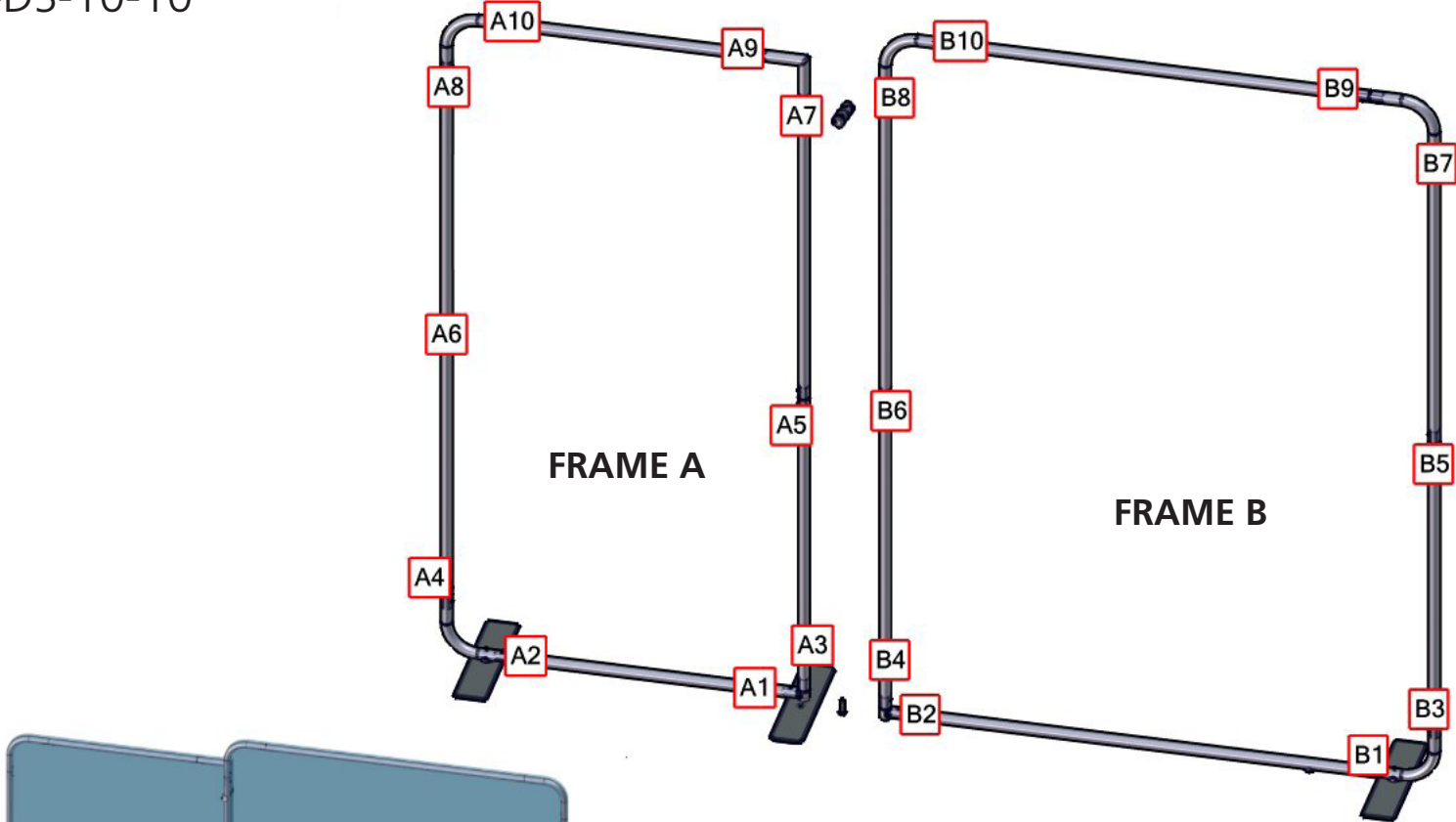
# Exploded View

FMLT-DS-10-10



# Labeling Diagram

FMLT-DS-10-10



OVERHEAD VIEW

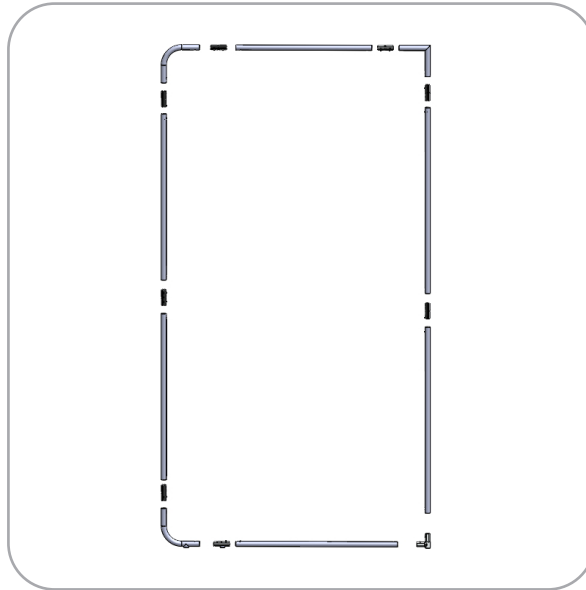
# Kit Assembly

## Step by Step

### Step 1.

Gather the components necessary to assemble Frame A. Assemble your frame following the order specified in the Labeling Diagram.

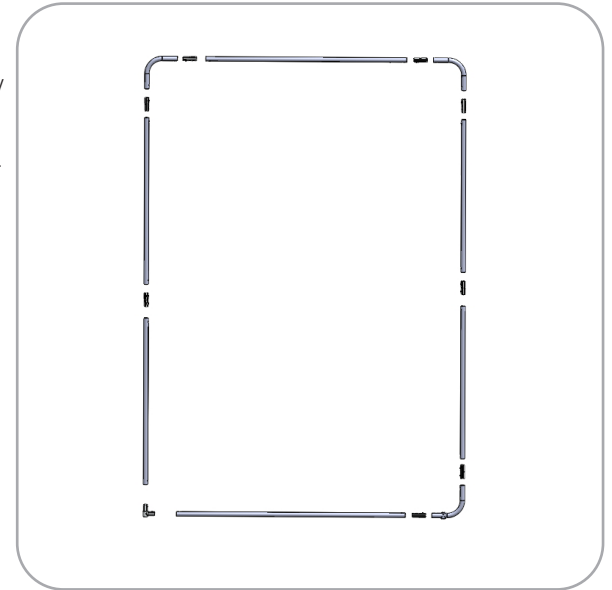
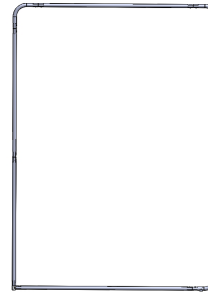
Please reference Connection Methods 1 and 2.



### Step 2.

Gather the components necessary to build Frame B. Assemble your frame following the order specified in the Labeling Diagram.

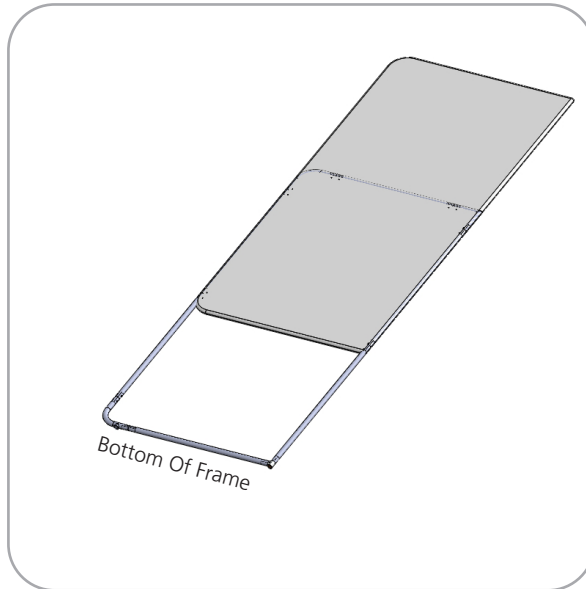
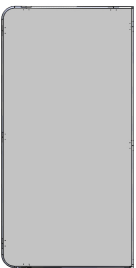
Please reference Connection Methods 1 and 2.



### Step 3.

Locate the fabric cover for Frame A. With the frame flat on the floor, pull the cover over the top of the frame. Zip the fabric cover to enclose the frame.

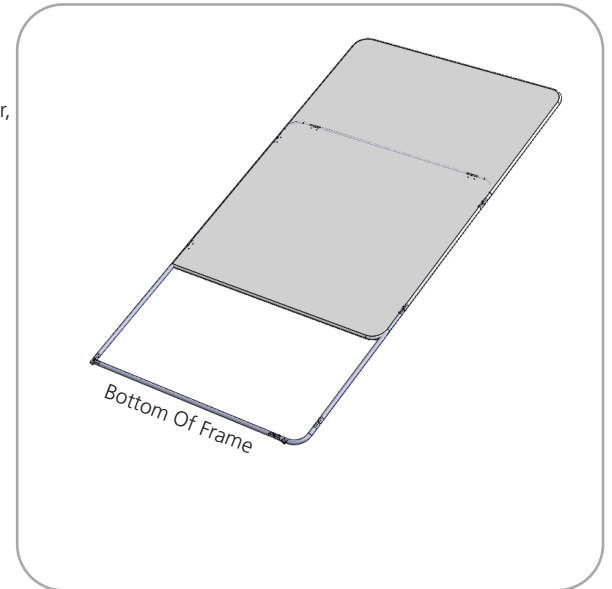
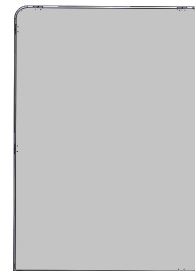
Zipper located on the bottom of Graphic A



### Step 4.

Locate the fabric cover for Frame B. With the frame flat on the floor, pull the cover over the top of the frame. Zip the fabric cover to enclose the frame.

Zipper Located on the bottom of Graphic B

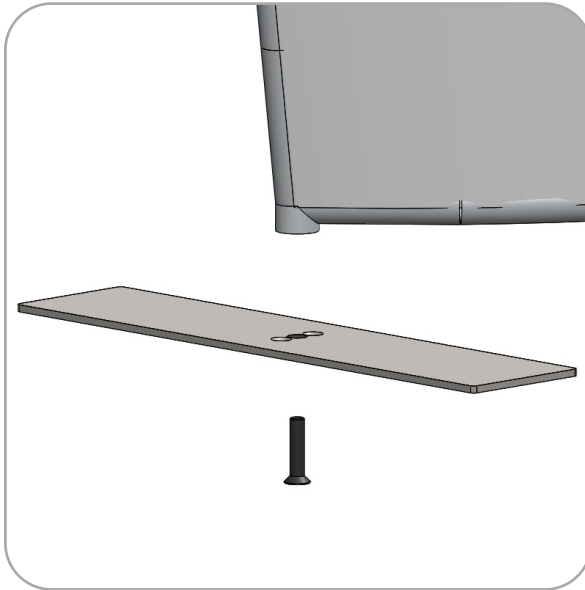
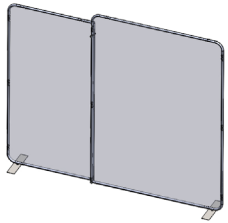


# Kit Assembly

## Step by Step

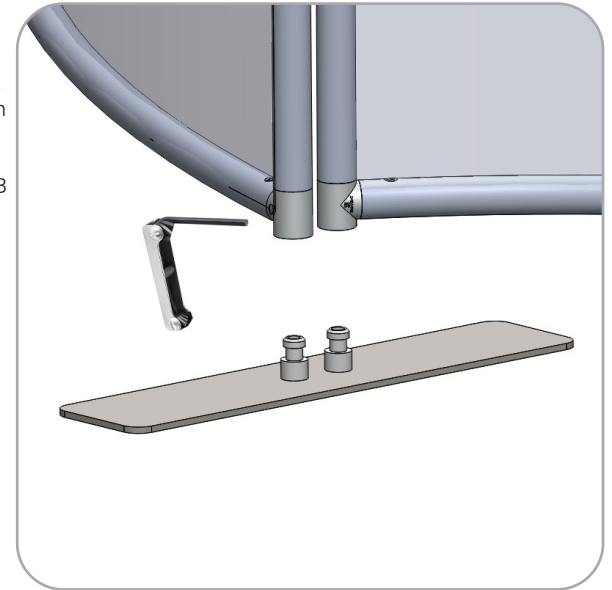
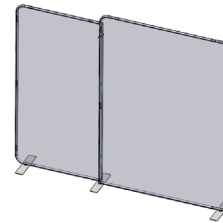
### Step 5.

Locate both LN114-S2-450s, and two LN114 screws. Screw the base onto the left side of Frame A and the right side of Frame B. Be sure to assemble in the order shown in the image to the right.



### Step 6.

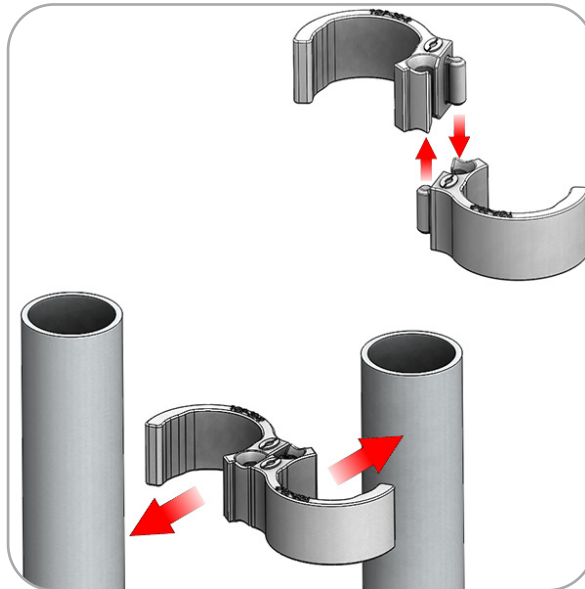
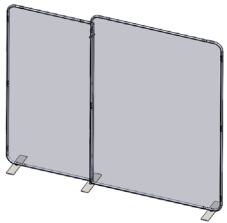
Locate LN114-S3. Attach the foot to the bottom of the ES30-90B on the left side of Frame A and the right side of Frame B. Tighten the screw on the side of the ES30-90B to lock it in place.



### Step 7.

Use the TCP-3030-R to combine both frames. Tighten on each side of the frame as shown in the image to the right.

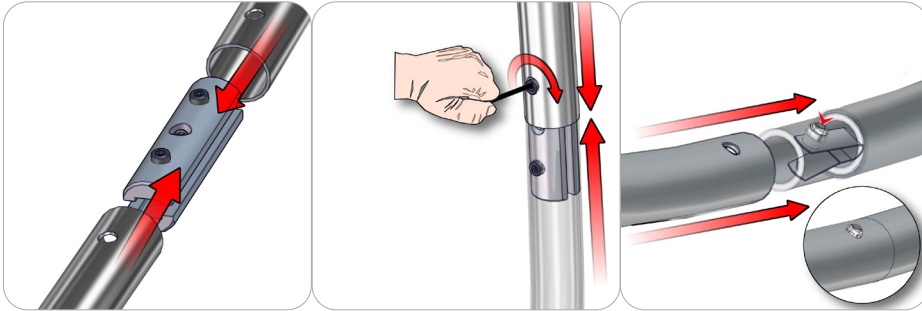
Please reference Connection Method 3 for more details



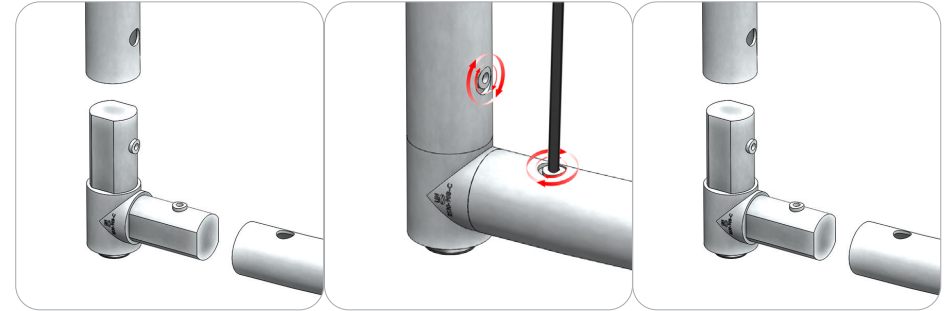
# Connection Methods

## Connection Method 1: ES30 / ES50 / SNAP BUTTONS

## Connection Method 2: SILICONE EDGE FABRIC GRAPHIC

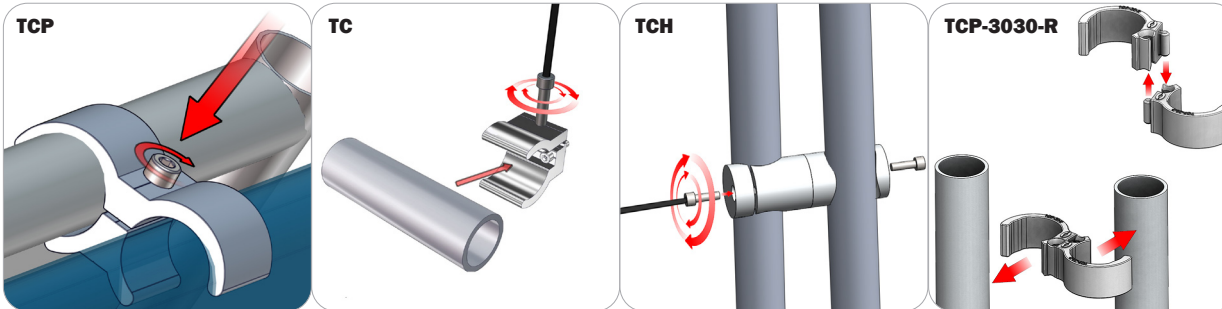


For spigot connections, compress the unlocked connector and slide into the tube lock access hole. Lock both screws carefully using your allen key tool. Be sure to lock securely, but do not over tighten. For snap button connections, locate the snap button on the connector or swage tube. Locate the hole on the corresponding tube. Press the snap button with your thumb and slide the tube and connector together so that the snap button snaps fully into the lock hole. To disassemble, press the snap button and pull apart.



Compress one unlocked end of the connector and slide it through one tube end. Compress the other end of the connector and slide the second tube on. Lock both screws carefully using your allen key tool. Be sure to lock securely, but do not over tighten.

## Connection Method 3: Tube Clamps



Be sure to fully assemble all frames before using clamps. With the clamp unlocked, place one tube of the first frame into the mouth of the clamp. Place the second tube (if applicable) into the second mouth of the clamp. With both frame's tubes in the clamp, be sure to lock securely, but do not overtighten.