

# Hybrid Pro Counter 04

## HPC-04

All Hybrid Pro™ Modular counters feature accessible storage and locking doors. Purchased magnet applied graphic panel allows for your messaging and branding.



## features and benefits:

- Aluminum extrusion posts
- Laminated tension glide panels
- Laminated locking door panels
- Laminated counter top
- Magnet applied graphic panel
- Wheeled injection molded shipping case
- Lifetime hardware warranty against manufacturer defects

## dimensions:

### Hardware

Graphic

Assembled unit:  
74.6" w x 36.61" h x 26.16" d  
1895mm(w) x 930mm(h) x 665mm(d)

Refer to related graphic template for more information.

Approximate weight:  
135 lbs / 62 kgs

Visit:  
[www.exhibitors-handbook.com/graphic-templates](http://www.exhibitors-handbook.com/graphic-templates)

### Shipping

## additional information:

Packing case(s):  
1 OCFM

Graphic material:  
UV printed on 22mil PVC

Shipping dimensions:  
OCFM:  
49" l x 39" h x 16" d  
1245mm(l) x 991mm(h) x 407mm(d)

When included in a larger kit, a different packaging solution will be listed to accommodate all contents of the kit. Individual packaging no longer provided.

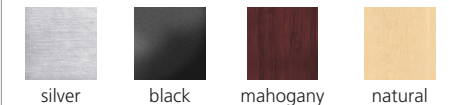
Approximate total shipping weight:  
170 lbs / 78 kgs

### Panel Colors:



grey black white

### Tabletop Colors:



silver black mahogany natural

2 person assembly recommended:



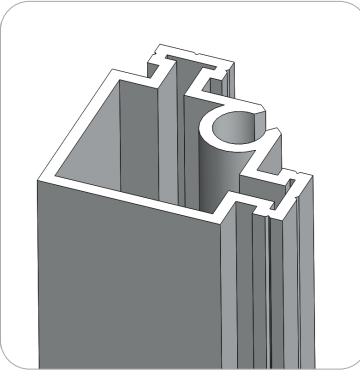
We are continually improving and modifying our product range and reserve the right to vary the specifications without prior notice. All dimensions and weights quoted are approximate and we accept no responsibility for variance. E&OE. See Graphic Templates for graphic bleed specifications.

# Included In Your Kit

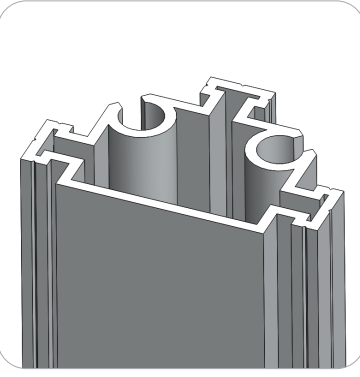
Tools, Components, & Connectors



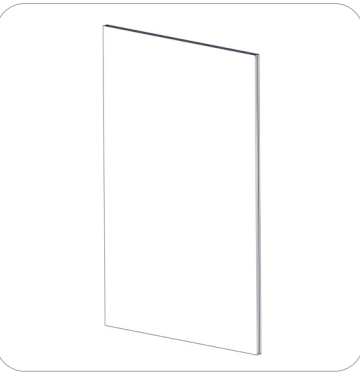
ROTO-HEX-KEY x1



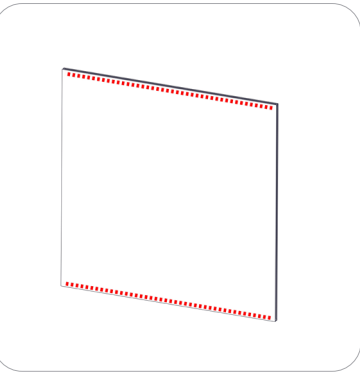
L90S-900 x4



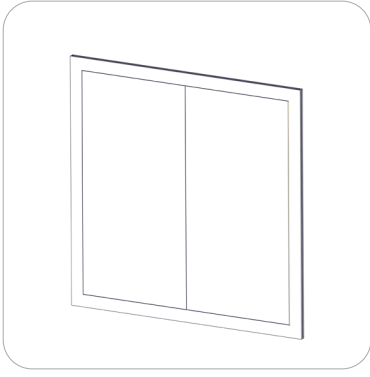
LT-900 x2



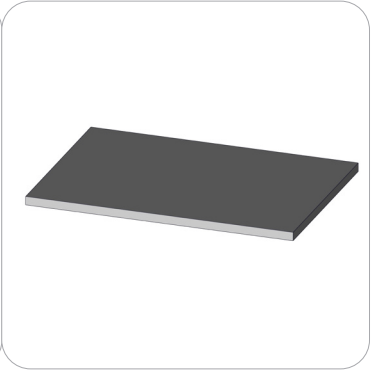
PL-600-900 x3



PL-900-900 x2

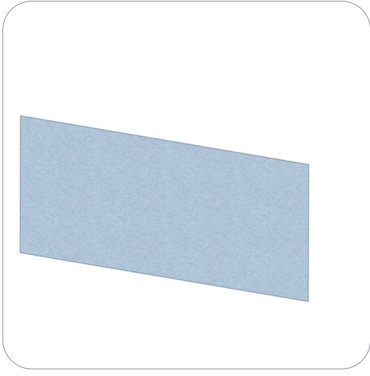


PL-CD-900-900 x2



CT-32L x2

Graphics

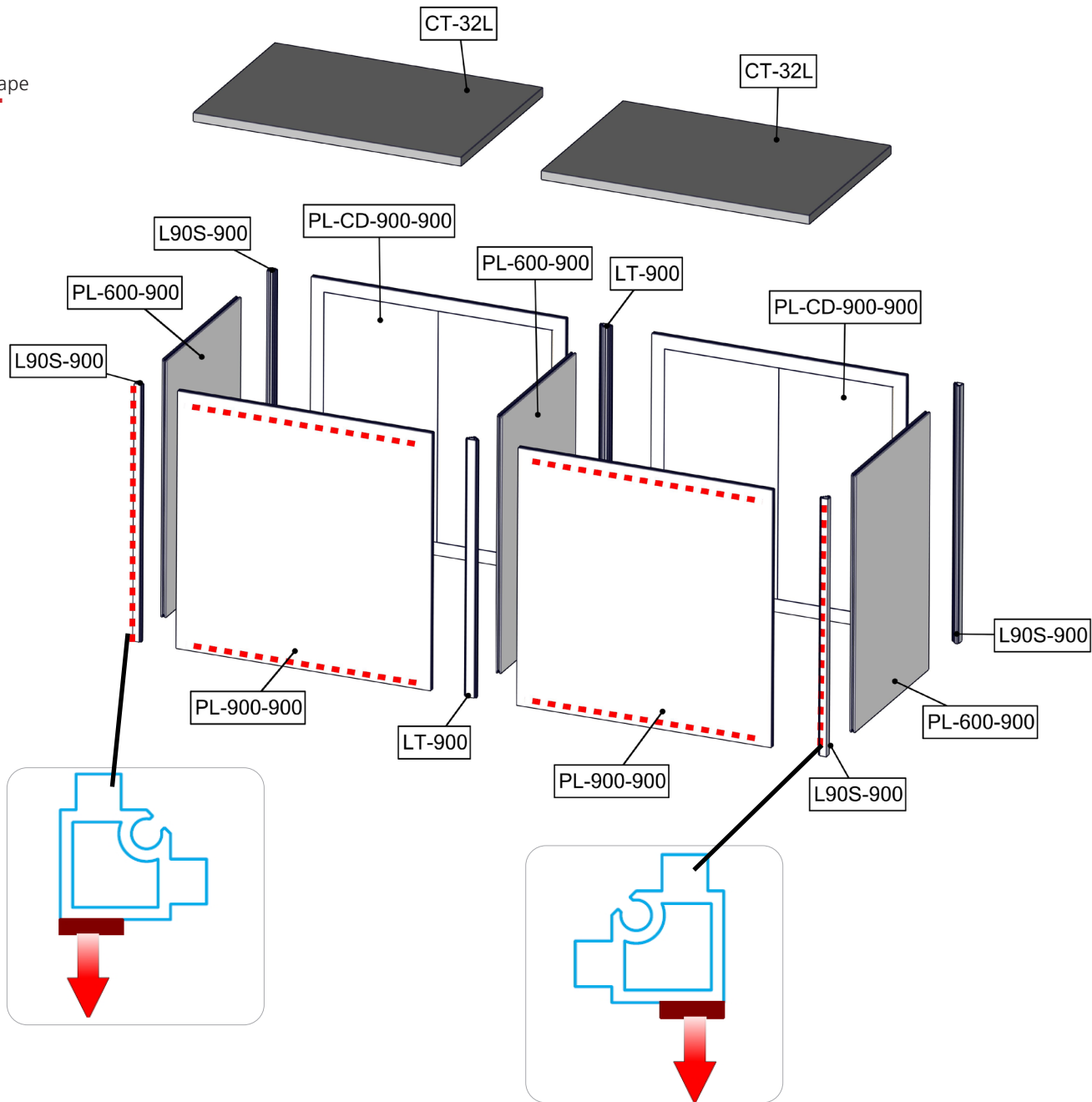


HPC-04-G x1

# Exploded View

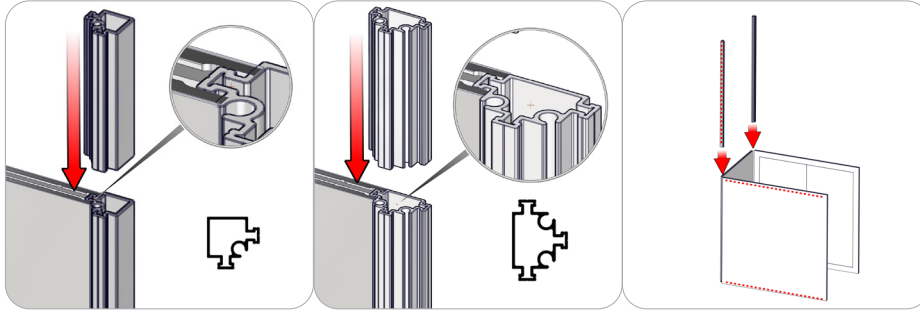
HPC-04

Pre-assembled Magnet Tape



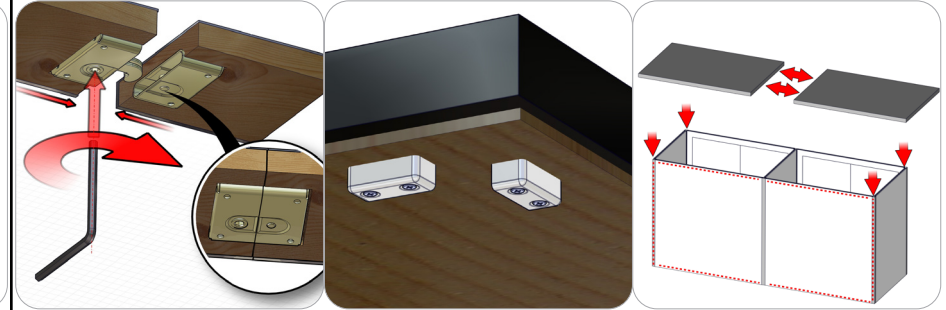
# Connection Methods

## Connection Method 1: L90S / LT / LAMINATE PANELS



Slide the linking extrusion from above the panel into its side channel. The panel side channels will have tension glides that will create enough pressure to hold them in place.

## Connection Method 2: ROTO LOCKS / LOCATOR BLOCKS



First, start with the counter tops upside down on the floor and roto locks disengaged. Then, align the male and female ends of the counter tops. Using your provided allen key tool, roto lock them in place. Second, carefully lift and rotate the assembled counter top and rest it on the counter cabinet. Use the locator blocks to pilot it in position.

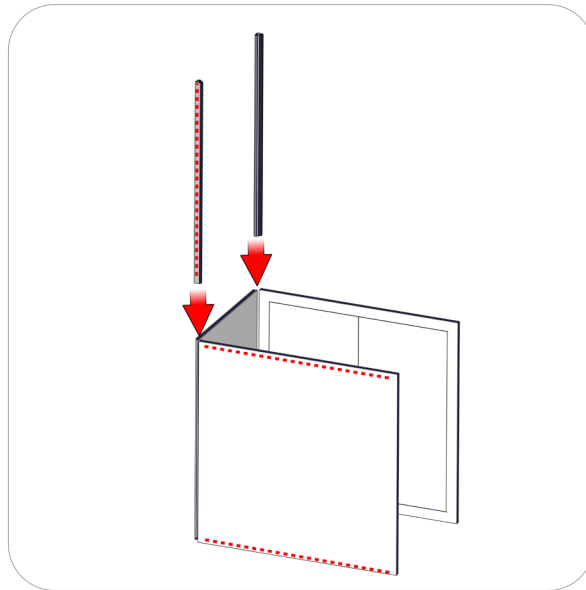
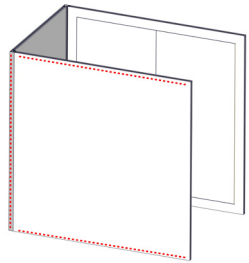
# Kit Assembly

## Step by Step

### Step 1.

Gather the components to assemble the first section of your counter panels. Use the Exploded View for component layout. Components with steel tape must face forward for magnet applied graphic panel.

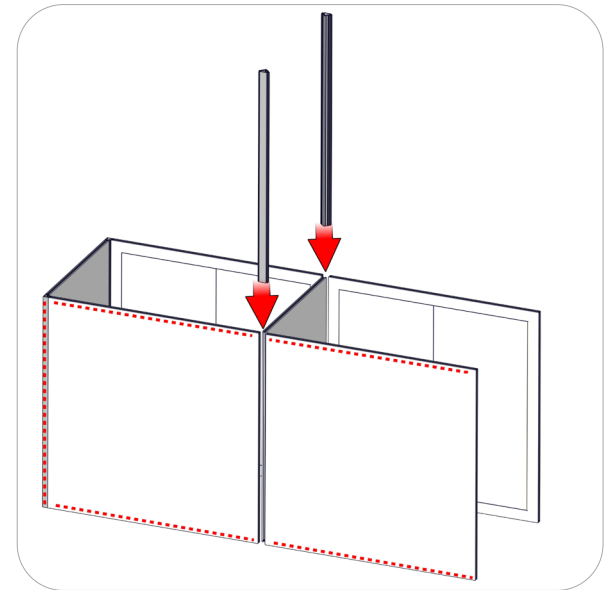
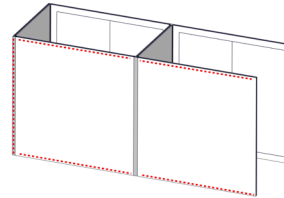
Reference Connection Method 1 for more details.



### Step 2.

Gather the components to assemble the second section of your counter panels. Use the Exploded View for component layout. Components with steel tape must face forward for magnet applied graphic panel.

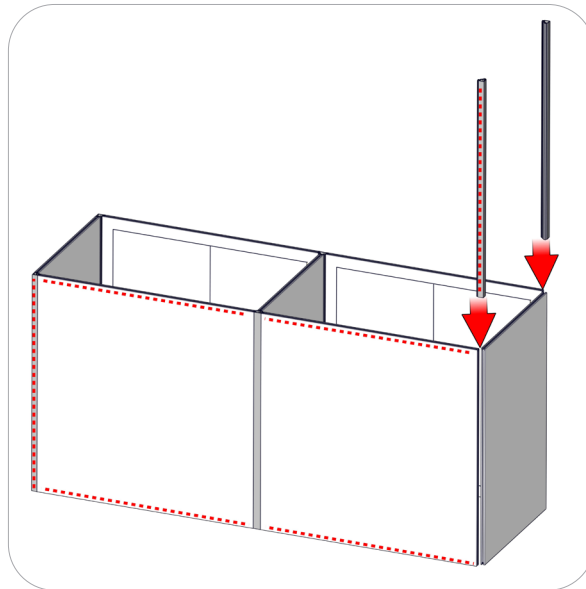
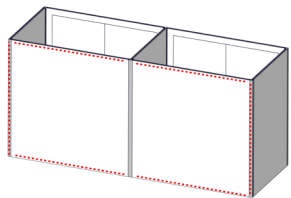
Reference Connection Method 1 for more details.



### Step 3.

Gather the components to assemble the third section of your counter panels. Use the Exploded View for component layout. Components with steel tape must face forward for magnet applied graphic panel.

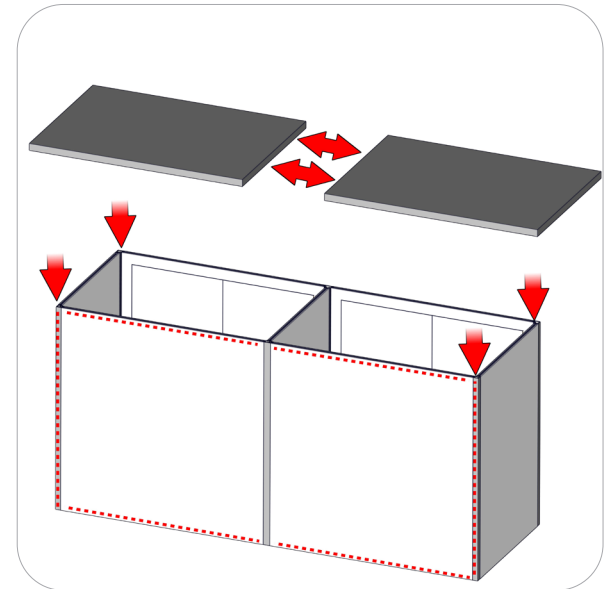
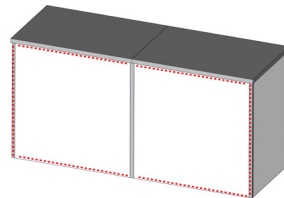
Reference Connection Method 1 for more details.



### Step 4.

Using your provided allen key tool, combine and lock the counter top sections. Using the locator blocks, carefully rest the assembled counter top on the cabinet. Use the Exploded View for component layout.

Reference Connection Method 2 for more details.

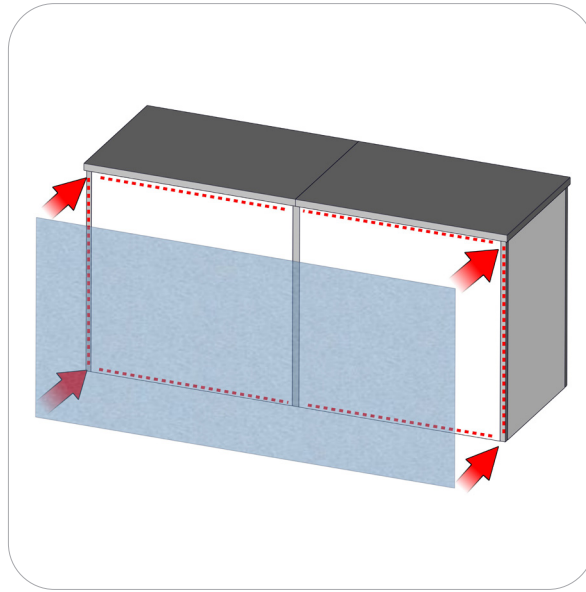
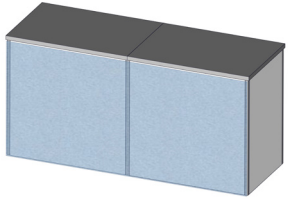


# Kit Assembly

## Step by Step

### Step 5.

To apply your magnet attaching graphic panel, starting at the top left corner and lay it across the top horizontal steel tape. Adjust the panel as you work it on to the rest of the steel tape perimeter.



### Step 6.

Setup is complete.

