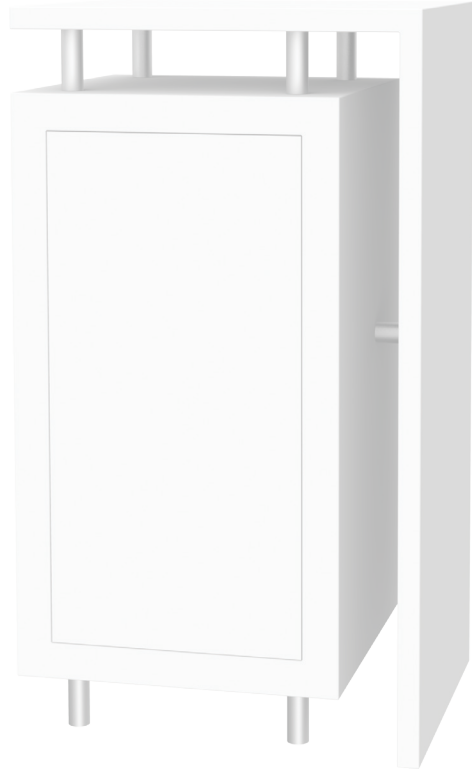


Hybrid Pro Counter 12

HPC-12

All Hybrid Pro™ Modular counters feature accessible storage and locking doors. Purchased magnet applied graphic panel allows for your messaging and branding.



features and benefits:

- 30mm aluminum stand offs
- Laminated cabinet with locking doors
- Laminated adjustable counter top
- 2 T-handle allen key tools included
- Kit includes an adjustable counter top and one wood crate
- Kit includes one dye-sublimated power stretch graphic OR one backlit intensity push fit graphic, one push fit opaque liner
- Lifetime hardware warranty against manufacturer defects

dimensions:

Hardware

Graphic

Assembled unit:
21.9" w x 38.24" h x 17.72" d
557mm(w) x 971mm(h) x 450mm(d)

Refer to related graphic template for more information.

Approximate weight:
44 lbs / 20 kgs
(graphic and lights to be included with backlit version)

Visit:
www.exhibitors-handbook.com/graphic-templates

Shipping

additional information:

Packing case(s):
1 HPC-01-B-CRATE

Shipping dimensions:
48" l x 31" h x 27" d
1220mm(l) x 787mm(h) x 686mm(d)

Graphic material:
Standard: Dye-sublimation Power stretch
Backlit: Backlit intensity

Recommended tools:
1/2" hex head wrench keys, not included

Approximate total shipping weight:
182 lbs / 83 kgs
(graphic and lights to be included with backlit version)

When included in a larger kit, a different packaging solution will be listed to accommodate all contents of the kit. Individual packaging no longer provided.

Panel Colors:



grey

black

white

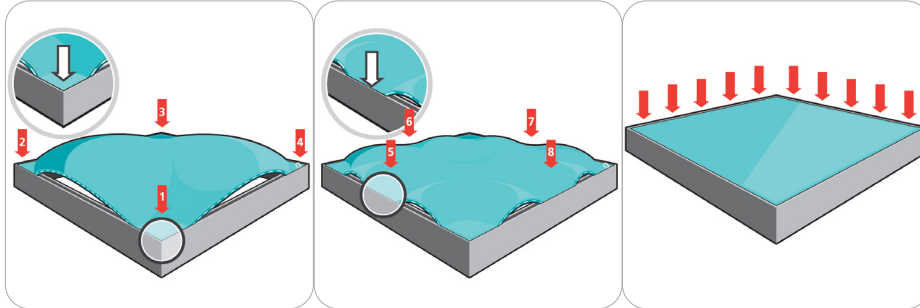


This product may include the following materials for recycle:
aluminum, select wood, fabric, cardboard, paper, steel, and plastics.

We are continually improving and modifying our product range and reserve the right to vary the specifications without prior notice. All dimensions and weights quoted are approximate and we accept no responsibility for variance. E&OE. See Graphic Templates for graphic bleed specifications.

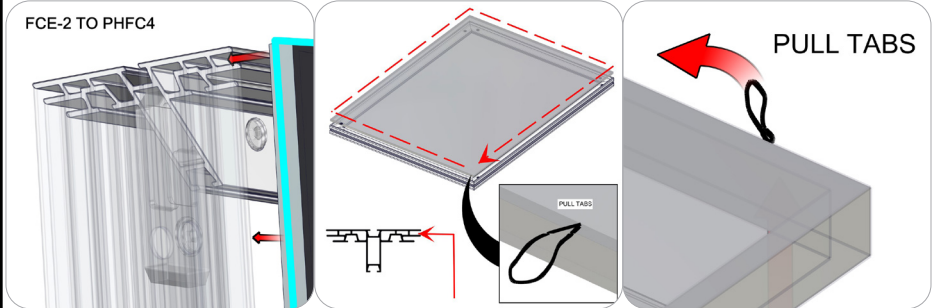
Connection Methods

Connection Method 1: SILICONE EDGE FABRIC GRAPHICS



First, insert the silicone edge fabric corners into the frame extrusion fabric graphic channels (points 1 through 4). Second, insert the silicone edge fabric sides into the frame extrusion fabric graphic channels (points 5 through 8). Third, push the remaining silicone edge into the frame extrusion fabric graphic channels.

Connection Method 2: SILICONE EDGE FABRIC OPAQUE LINER



First, insert the silicone edge corners of the opaque liner into the frame extrusion SEG channels. Second, insert the silicone edge fabric sides of the opaque liner into the frame extrusion SEG channels. Third, the opaque liner will have a pull tab to start removing the panel.

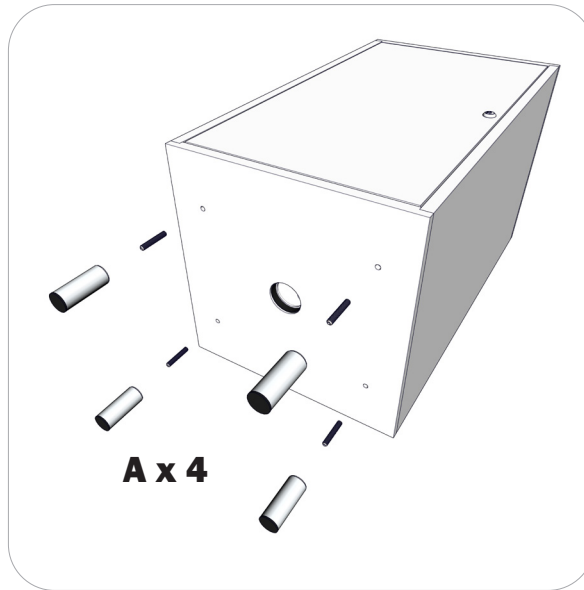
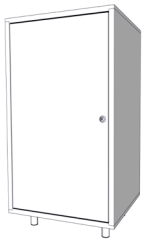
Kit Assembly

Step by Step

Step 1.

Use the provided hex key tool for attaching the 4 set screws. Make sure the set screws are flush to the inside surface and do not protrude into the cabinet. Next, hand tighten the 30mm tube feet onto the set screws.

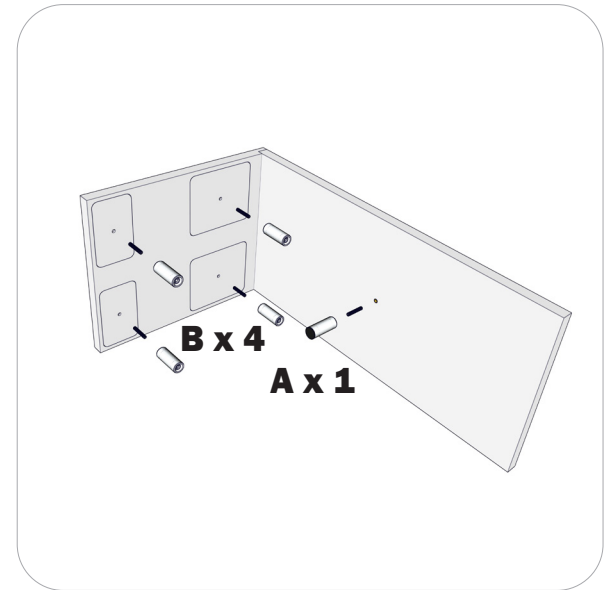
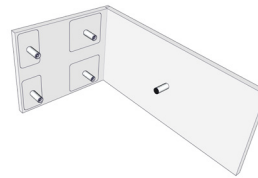
Reference Connection Method 3 Image A for more details.



Step 2.

Use the provided hex key tool for attaching the 5 set screws onto the counter top. Next, hand tighten the 30mm tube posts onto the set screws.

Reference Connection Method 3 Image A and B for more details.



Step 3.

Use a 1/2" hex wrench (tools not included) for attaching the four 30mm tube posts of the countertop onto the cabinet.

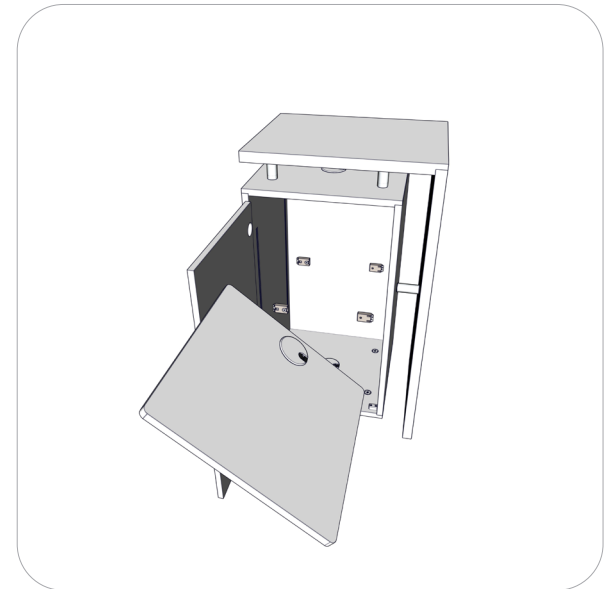
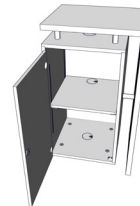
Reference Connection Method 3 Image D for more details.

This counter top can be assembled on the left or right.



Step 4.

Using the provided allen key tool, attach the 4 camlocks into the cabinets inside extrusion channels. Make sure they are all at the same height and level for the internal shelf.

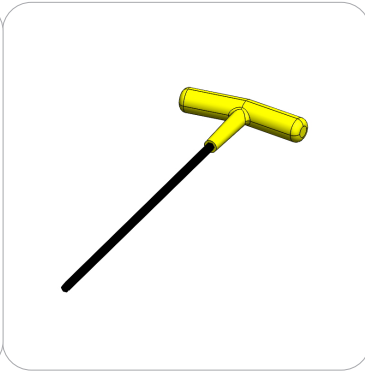


Included In Your Kit

Tools, Components, & Connectors



5MM ALLEN-T x1



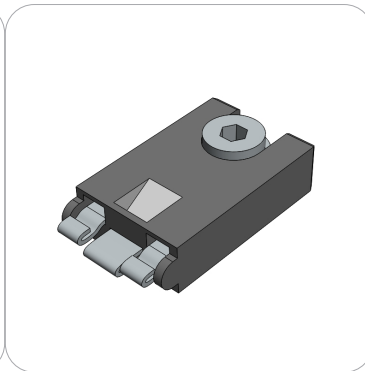
T-HANDLE-5-32 x1



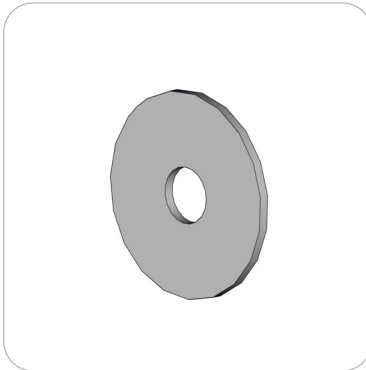
5/16" - 18 X 2"
SET SCREWS x9



5/16" - 18 X 2"
HEX BOLTS x4



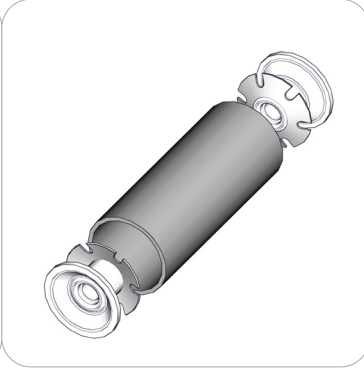
CAM LOCK x4



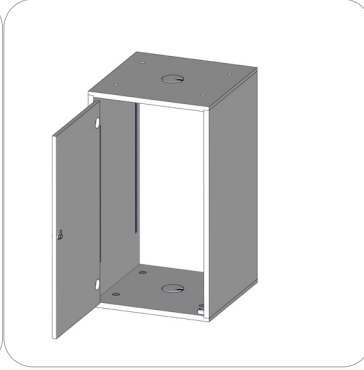
5/16" - 1 1/4" OD
FENDER WASHERS x4



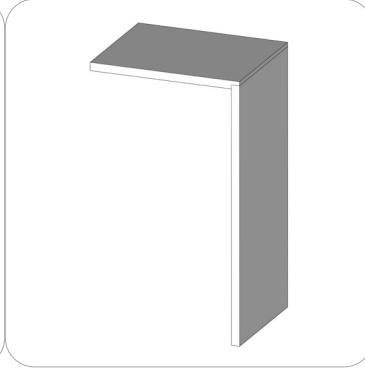
TUBE-30-ASY-1 x5



TUBE-30-ASY-2 x4



HPC-01-B-CAB x1



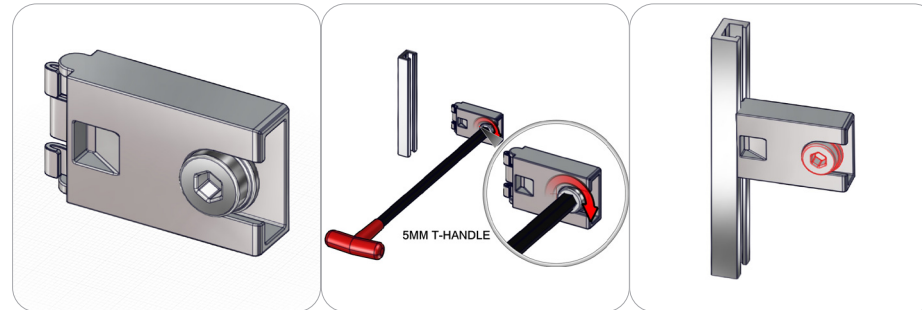
HPC-01-B-CT x1



HPC-01-B-INT x1

Connection Methods

Connection Method 1: CAM LOCK



First, with the cam lock disengaged, place the cam lock teeth into the extrusion channel. Second, use the allen key tool to lock it in place. Make half turns clock-wise to engage the cam lock. Do not over tighten the lock buttons.

Connection Method 2: TUBE-30-ASY-1 / TUBE-30-ASY-2

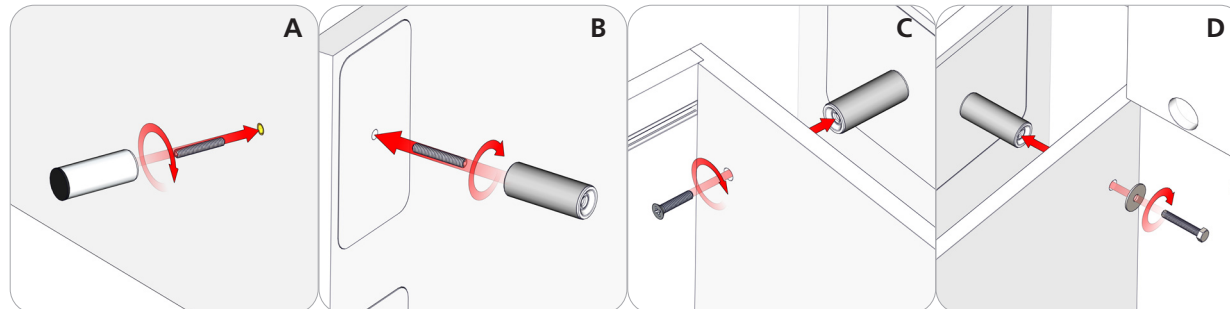


Image A. Use the hex key tool to drive the 2" set screw into the panel. Then, hand tighten the 30mm tube assembly 1 onto the set screw.

Image B. Use the hex key tool, to drive the 2" set screw into the panel. Then, hand tighten the 30mm tube assembly 2 onto the set screw.

Image C. Drive the countersink screws into the 30mm tube assembly 2.

Image D. Use a 1/2" hex wrench (tool not included) to drive the hex bolt and washer into the 30mm tube assembly 2.