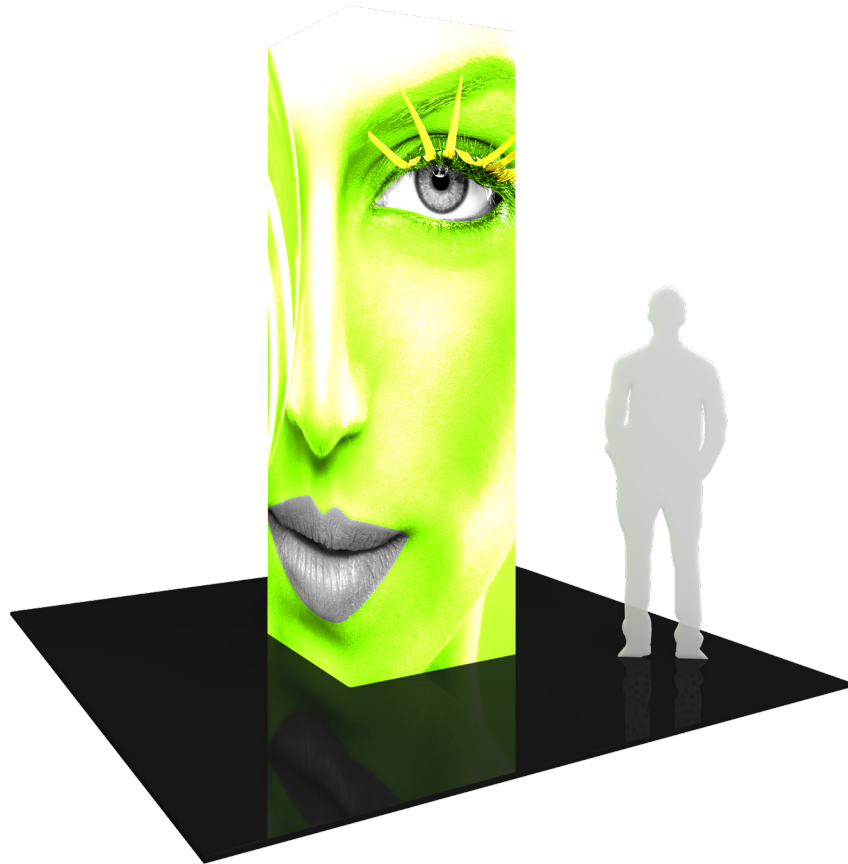


Vector Frame Backlit Modular Tower 03 3'X10'

VF-BL-TOWER-03 VF-BL-TOWER-03-MM

The Vector Frame™ Backlit Tower 03 is an illuminated rectangular architectural structure that measures 10'h and 3' square at the top and bottom. The Backlit Tower 03 couples extrusion frames with interchangeable, vibrant push-fit fabric graphics and an internal lighting kit to create a dramatic and impressive accent or focal point. Add an optional monitor mount for additional branding and digital messaging opportunities. Each kit comes with a molded, wheeled case for easy storage and transportation.



features and benefits:

- 50mm silver extrusion frames
- Internal LED lighting
- Interchangeable pushfit SEG fabric graphics for all 4 sides
- Monitor Mount option available
- Kit includes: a frame, 4 SEG backlit intensity push fit fabric graphics panels, 1 opaque liner panel, and one wheeled storage case
- Lifetime hardware warranty against manufacturer defects

dimensions:

Hardware	Graphic
<p>Assembled unit: 35.97" w x 120.02" h x 35.97" d 914mm(w) x 3049mm(h) x 914mm(d)</p> <p>Approximate weight with case: 84 lbs / 38 kgs</p>	<p>Refer to related graphic template for more information.</p> <p>Visit: https://www.theexhibitorshandbook.com/download-graphic-templates</p>

Shipping	additional information:
----------	-------------------------

<p>Packing case(s): 1 OCE-2</p> <p>Shipping dimensions: OCE-2: Expandable case length (l) may vary</p> <p>18" l x 40" - 66" h x 18" d 458mm (l) x 1016mm-1677mm (h) x 458mm(d)</p> <p>Approximate total shipping weight (includes cases & graphics): 92 lbs / 42 kgs</p>	<p>Graphic material: Backlit Intensity push-fit fabric graphic and opaque liner *This unit requires 6 light bulbs.</p> <p>Lighting Power Requirements:</p> <table border="1"> <thead> <tr> <th>Total wattage needed:</th> <th>Total ampage needed:</th> <th>Voltage used:</th> </tr> </thead> <tbody> <tr> <td>144W</td> <td>14A</td> <td>110V</td> </tr> </tbody> </table> <p>When included in a larger kit, a different packaging solution will be listed to accommodate all contents of the kit. Individual packaging no longer provided.</p>	Total wattage needed:	Total ampage needed:	Voltage used:	144W	14A	110V
Total wattage needed:	Total ampage needed:	Voltage used:					
144W	14A	110V					



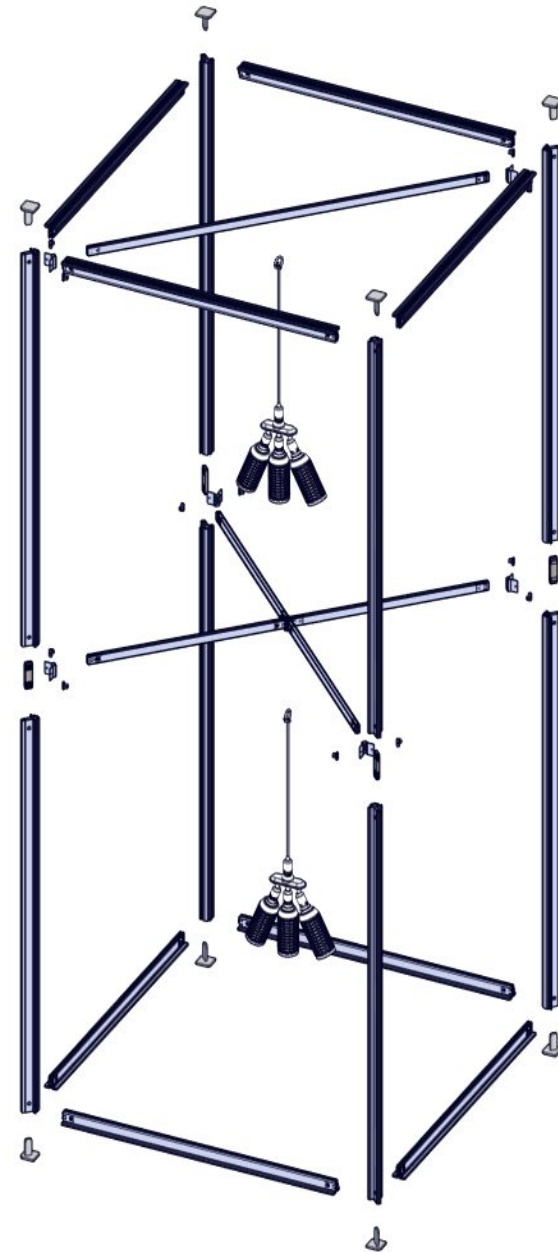
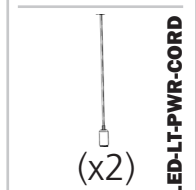
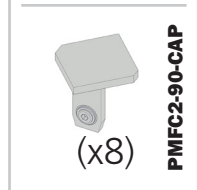
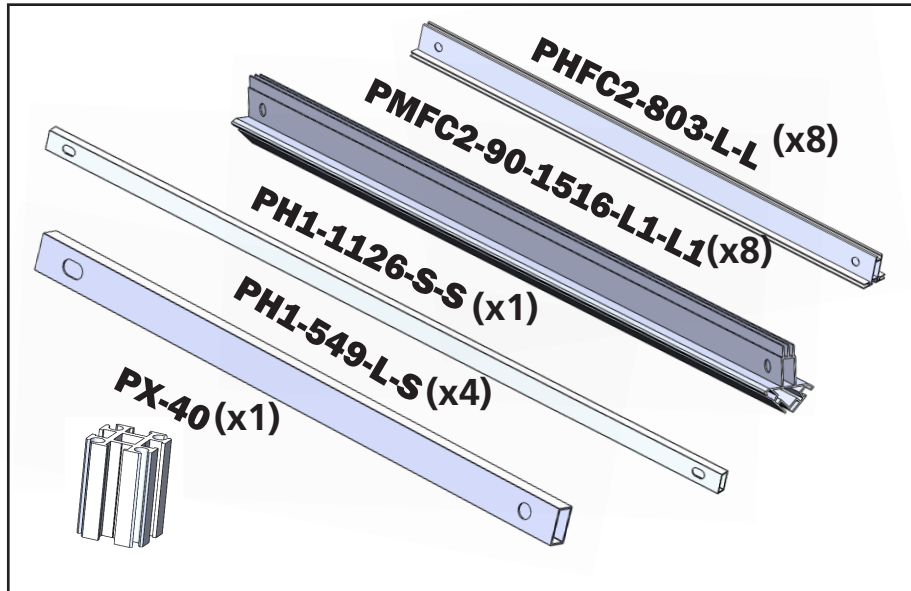
This product may include the following materials for recycle:
aluminum, select wood, fabric, cardboard, paper, steel, and plastics.

2 person assembly recommended:



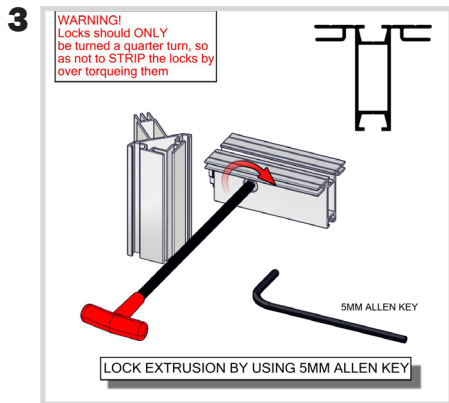
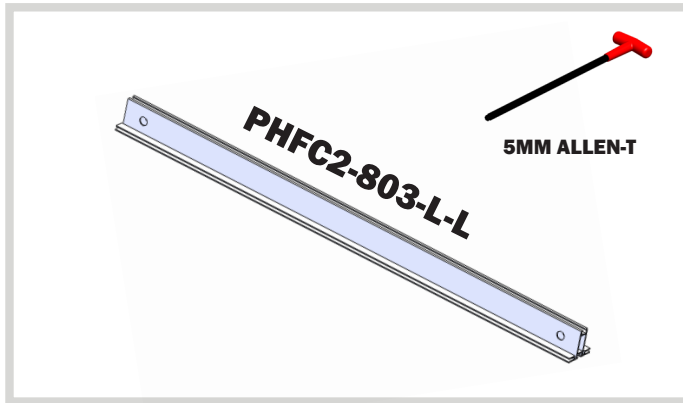
We are continually improving and modifying our product range and reserve the right to vary the specifications without prior notice. All dimensions and weights quoted are approximate and we accept no responsibility for variance. E&OE. See Graphic Templates for graphic bleed specifications.

Included in your kit:

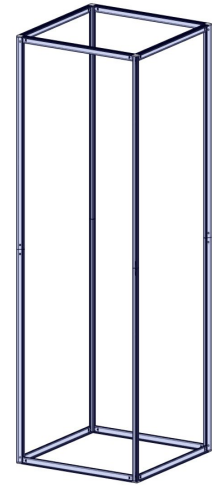
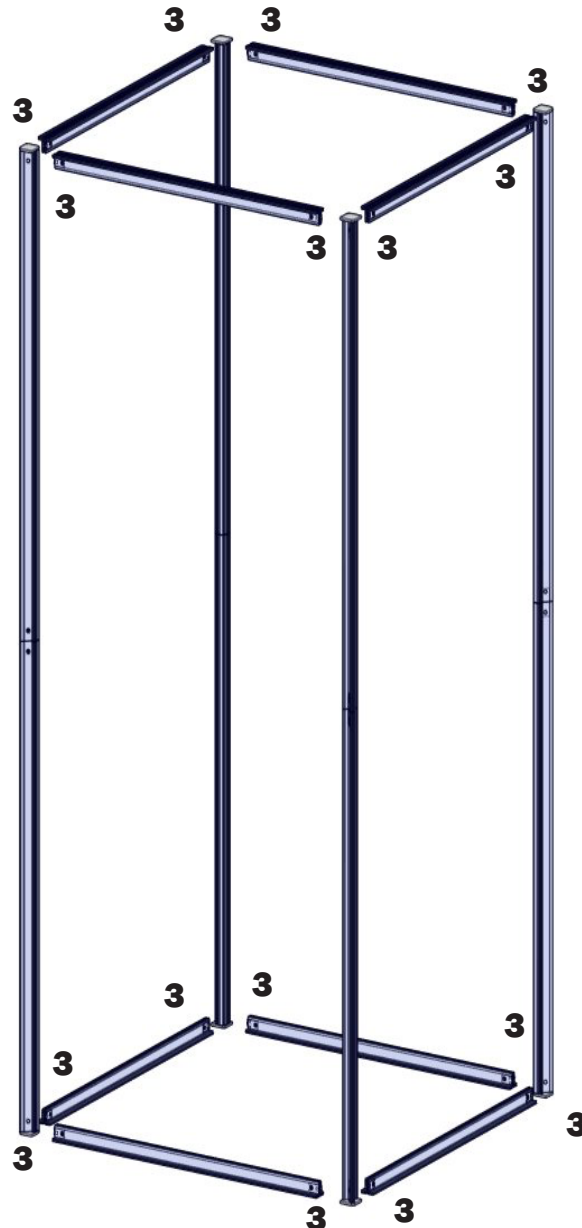


Tower Construction

For this step you will need:



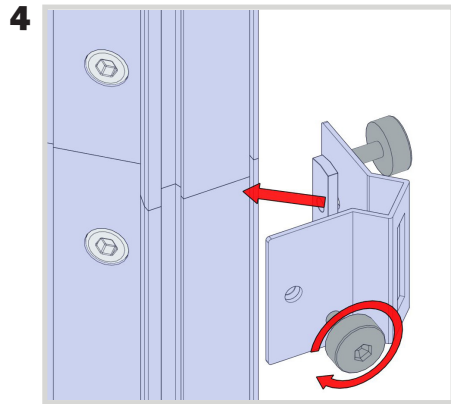
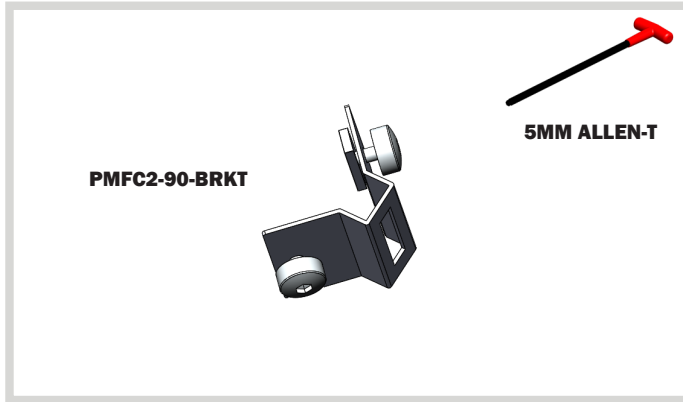
Using the 5mm Allen-T attach your PHFC2s to your PMFC2 verticals made in the previous step.



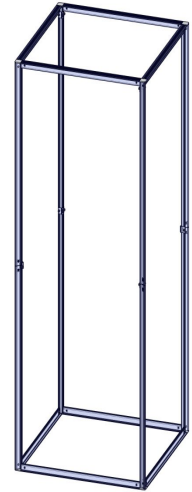
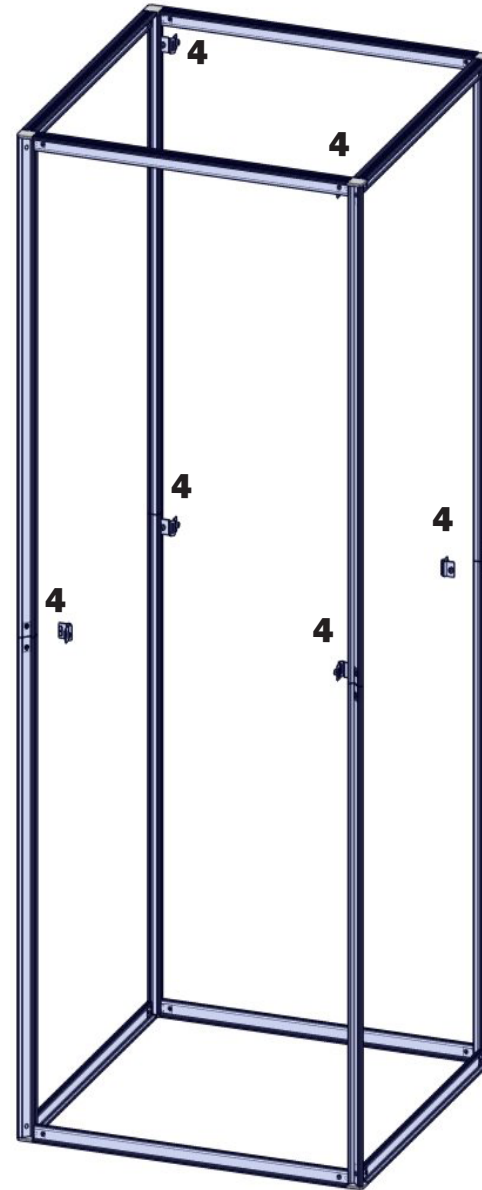
After this step you should have a rectangular tower.

Tower Construction

For this step you will need:



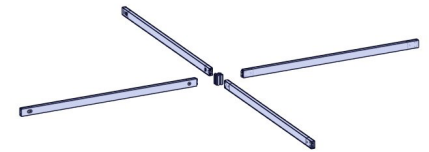
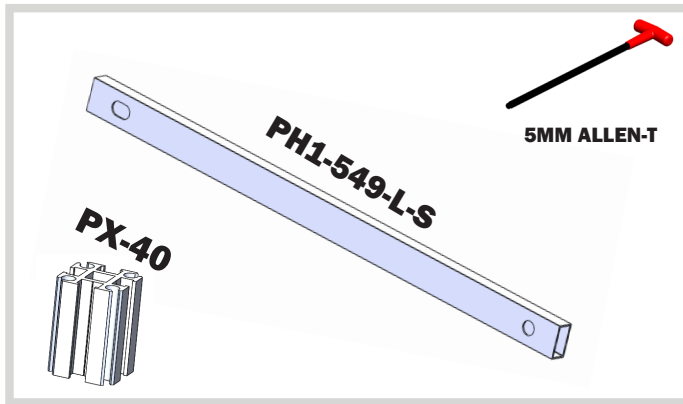
Using the screws provided, attach 8 of the brackets to the joints of your verticals and two at the top of you PMFC2 verticals.



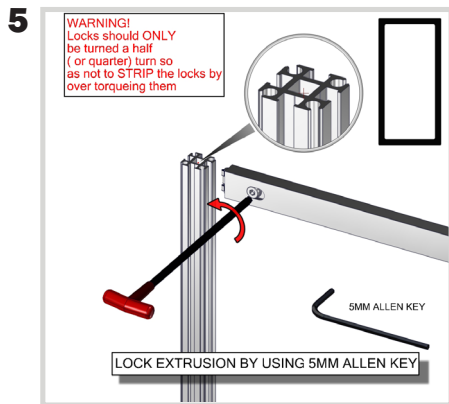
After this step you should have 6 brackets attached to your post.

Tower Construction

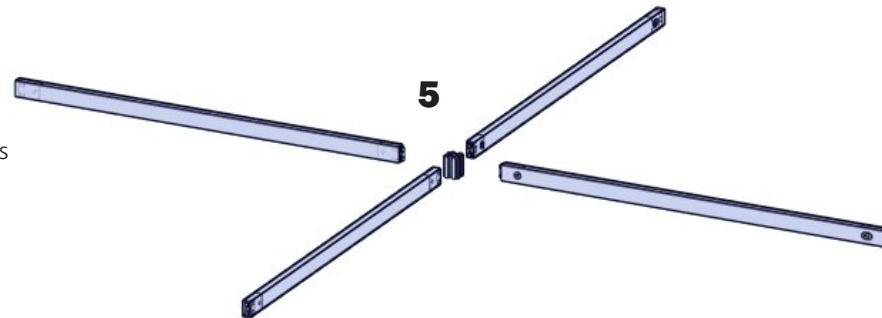
For this step you will need:



After this step you should have your cross support ready.

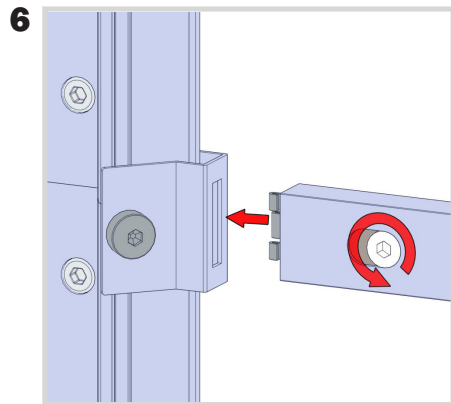
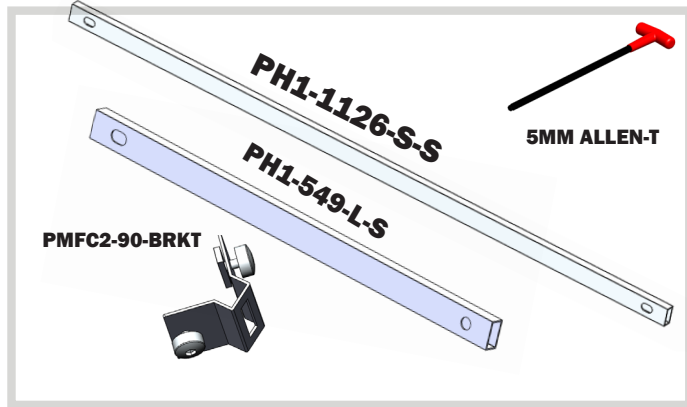


Using the 5mm Allen-T attach your supporting PH1 extrusions to the small PX extrusions.

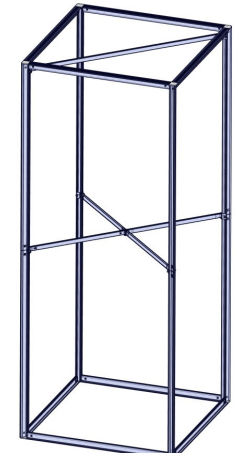
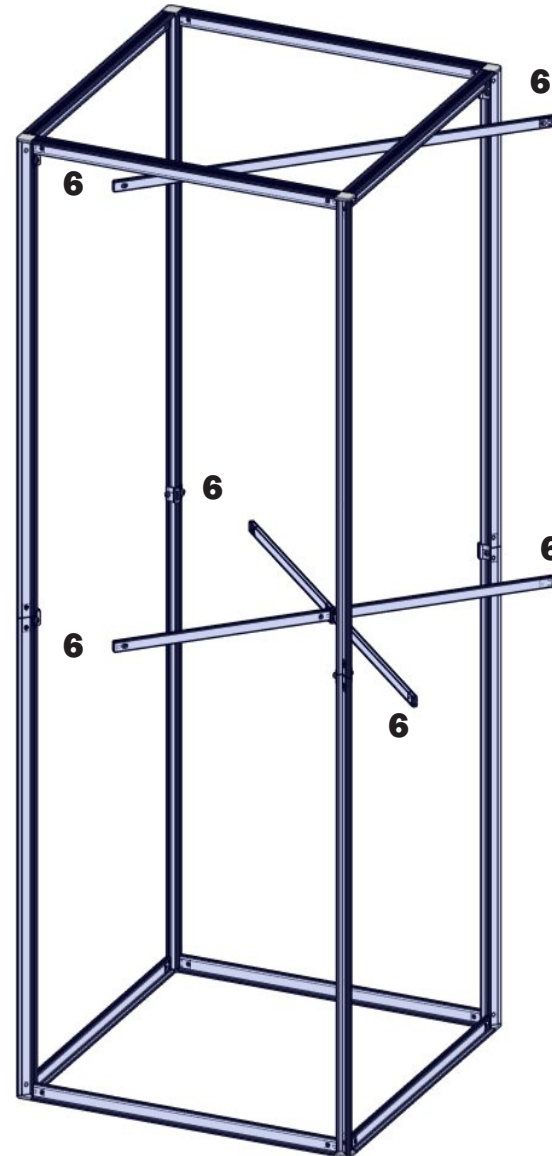


Tower Construction

For this step you will need:



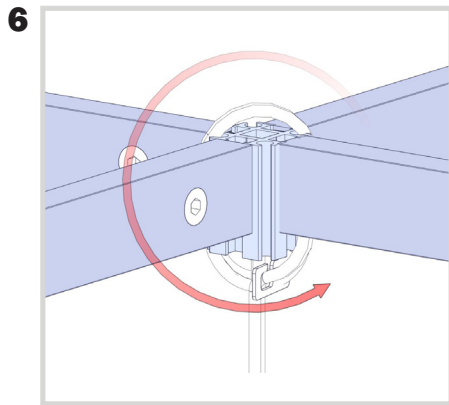
Using the 5mm Allen-T attach your supporting PH1 extrusions to your brackets.



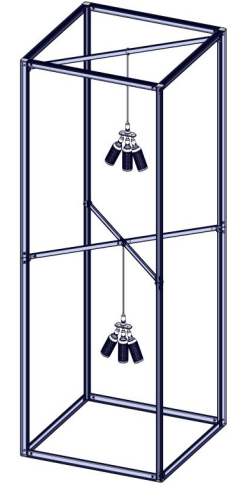
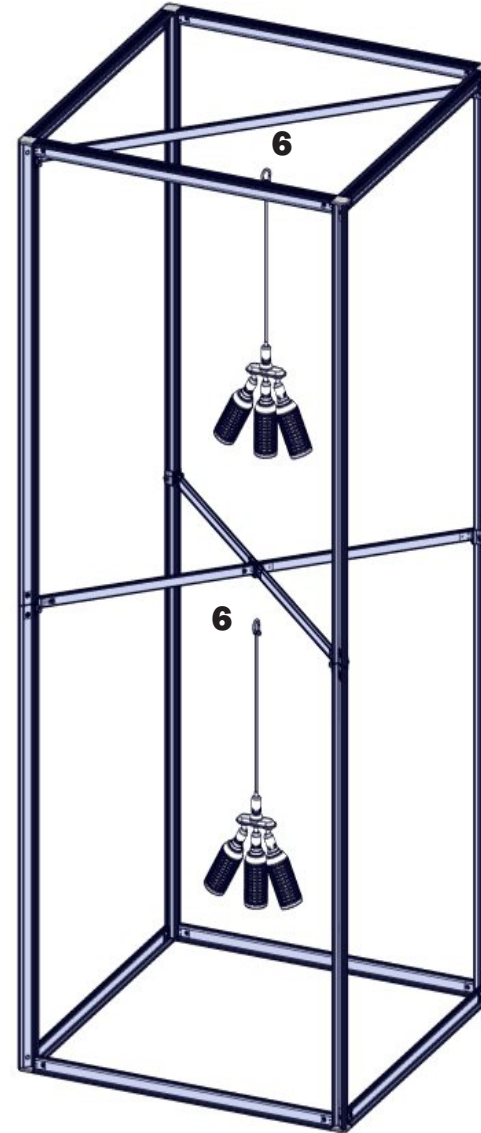
After this step you should have your supports connected to your tower.

Tower Construction

For this step you will need:



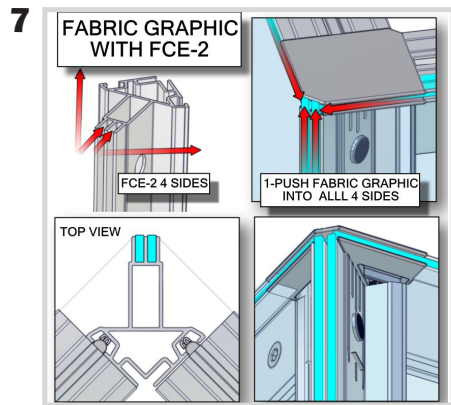
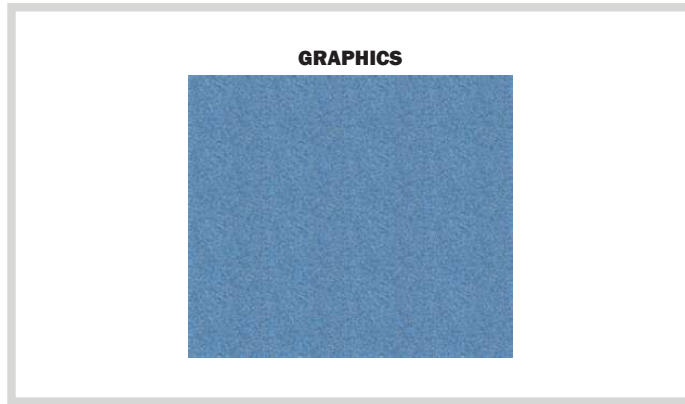
To attach lights to the tower simply wrap the cords around the joints in the middle of the frame.



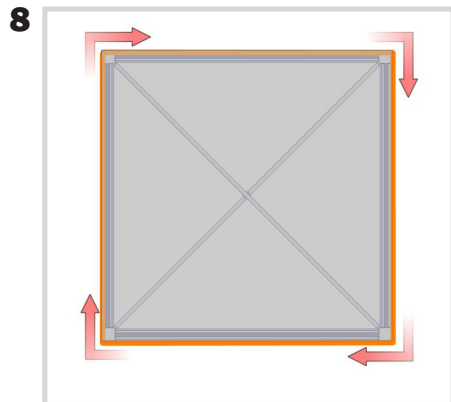
The lights are now attached to your tower.

Graphic Application

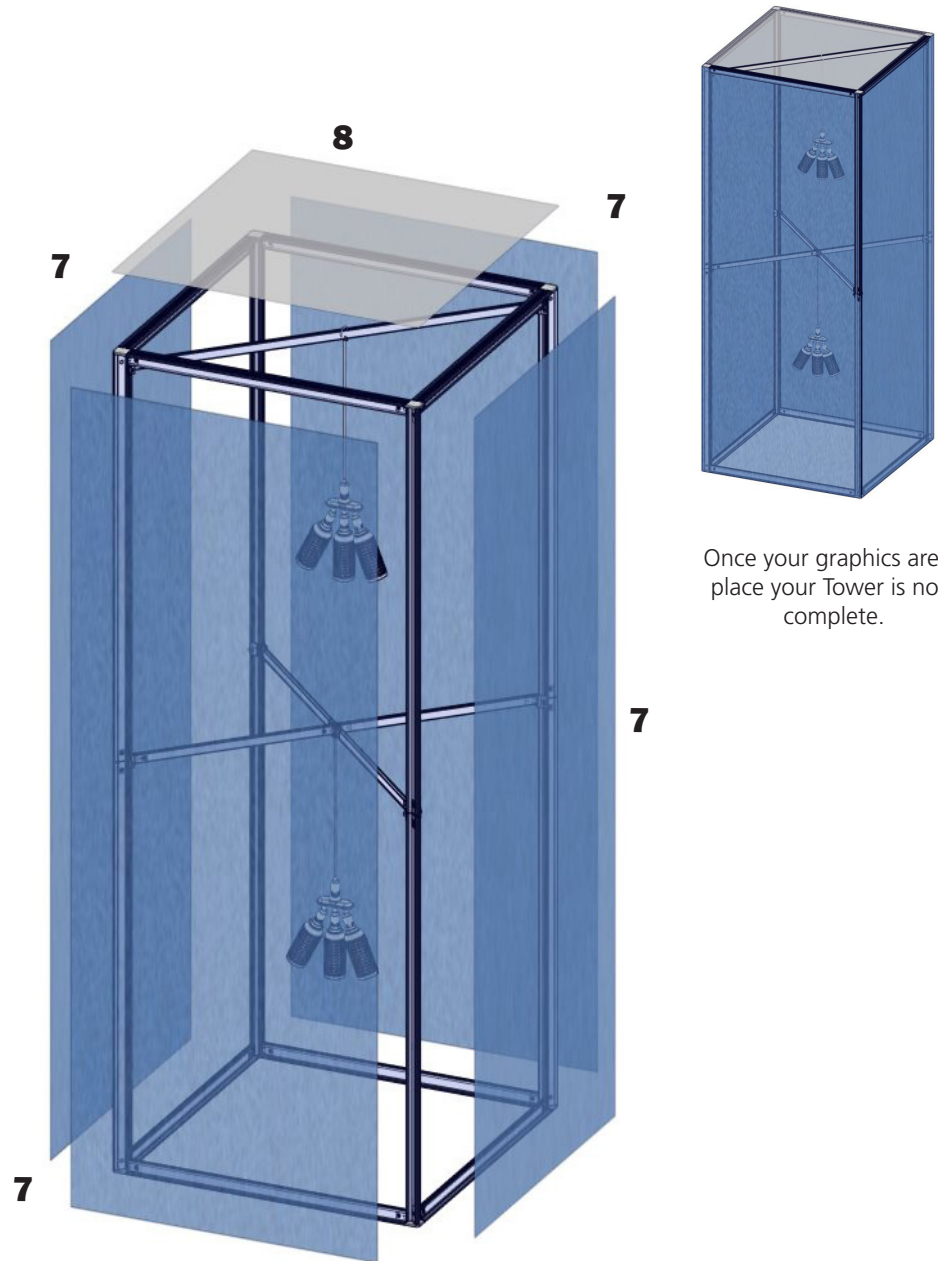
For this step you will need:



Insert your graphics into the FCE channels of your PMFC2 extrusions.



Your opaque liner will attach to the top of your tower with hook and loop fastener on the liner and on the top of the extrusion.



Once your graphics are in place your Tower is now complete.